



BIOFALLS® 1000 FILTER

BioFalls® 1000 Filter
Item #99774





BioFalls® 1000 Filter

Thank you for choosing the BioFalls® Filter. At Aquascape, we connect people to water the way nature intended. Since 1991, we've been creating and field-testing water features in order to provide you with the most reliable products and best value in the water gardening industry.

Aquascape's BioFalls Filter provides critical filtration to a pond in the form of a beautiful waterfall. Durable rotational-molded polyethylene ensures maximum strength, and withstands whatever Mother Nature can dish out. All Aquascape BioFalls Filters include a lifetime warranty.



TABLE OF CONTENTS

Introduction	2
Contents	3
Recommended Tools	3
Helpful Symbols	3
Installation	4
General Maintenance	8
Replacement Parts	8
Warranty Information	8

Contact Us

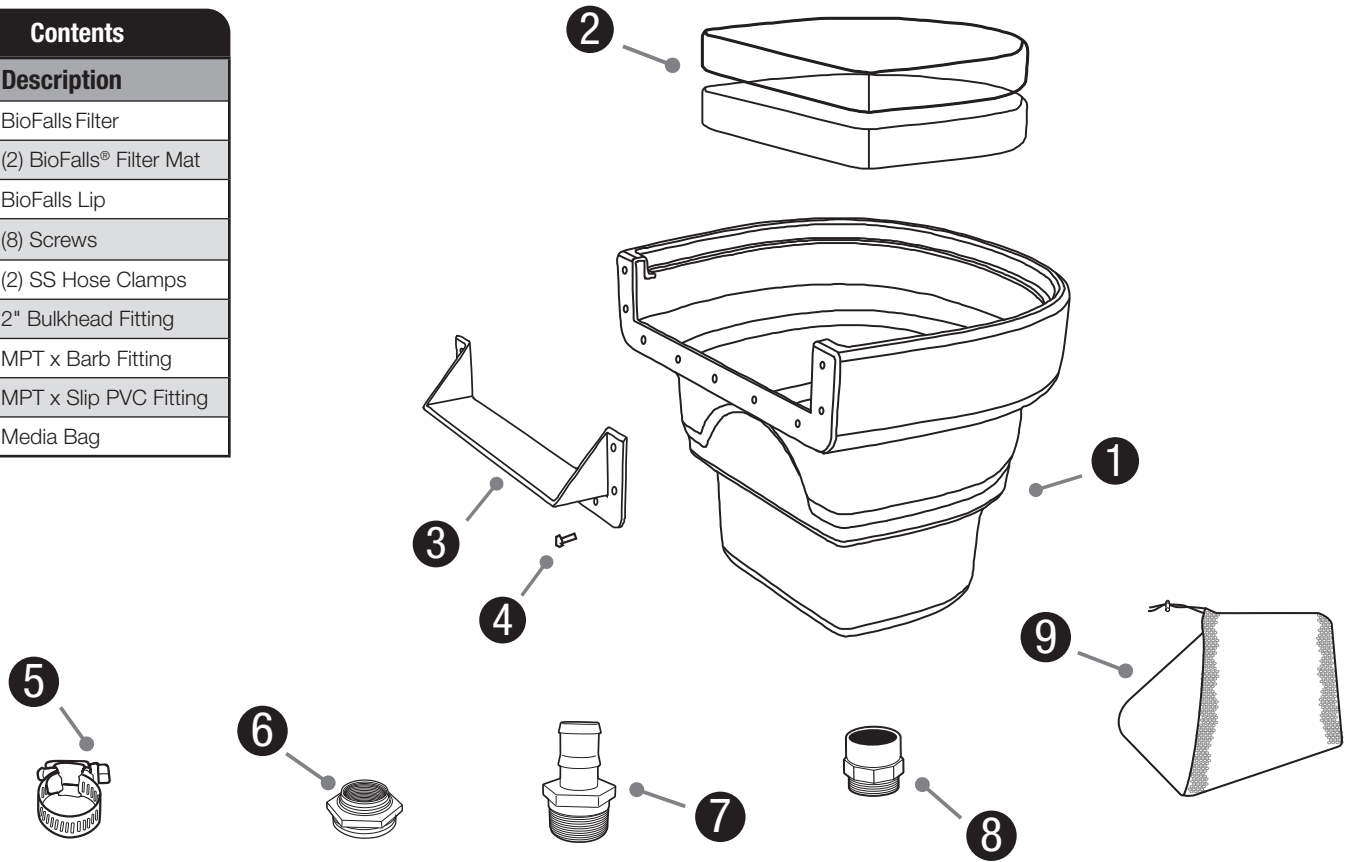
For more information about our company or products, please visit our website at aquascapeinc.com or call US (866) 877-6637 CAN (866) 766-3426.

Find us on:



facebook.com/aquascapeinc
youtube.com/aquascape4
pinterest.com/aquascapeinc
instagram.com/aquascape_inc/

Contents	
No.	Description
1.	BioFalls Filter
2.	(2) BioFalls® Filter Mat
3.	BioFalls Lip
4.	(8) Screws
5.	(2) SS Hose Clamps
6.	2" Bulkhead Fitting
7.	MPT x Barb Fitting
8.	MPT x Slip PVC Fitting
9.	Media Bag



Recommended Tools



Wheelbarrow



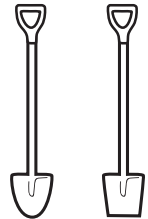
Brightly-Colored
Spray Paint



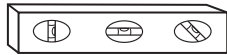
Screwdriver



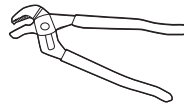
Soil Tamper



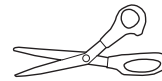
Shovel



Carpenter's
Level



Channel
Locks



Scissors

Helpful Symbols



WARNING Symbol - Will alert you to the possibility of damage or injury if you do not comply with the warnings that accompany them. The hazard may come from something mechanical or from electrical shock.



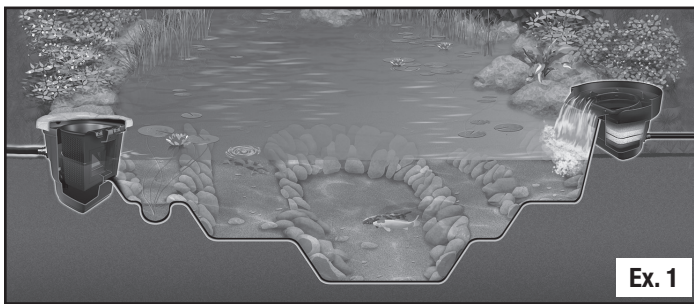
TIP Symbol - Helpful information provided by a professional pond installer.

Installation

STEP 1

PLACE BIOFALLS FILTER

- If starting a new pond the BioFalls filter will be used to create your waterfall and should be positioned so it's facing a main viewing area.
- Make sure it is placed close to the edge of the basin so you can connect the pond liner to the BioFalls filter. You will need additional liner if creating a stream between the BioFalls and pond.
- If you are using the BioFalls filter on an existing pond, you will need an extra piece of liner approximately 4' x 6'. The extra liner should be long enough to attach to the BioFalls lip and have plenty left to hang over the side of the pond to prevent water loss.
- If you are using the BioFalls in conjunction with a skimmer. We recommend the BioFalls be placed directly across the length of the pond from the Skimmer to maximize water circulation (Ex. 1).



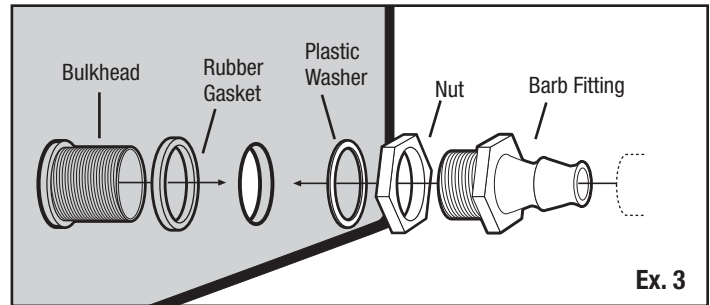
STEP 2

HOOK UP AND LEVEL THE BIOFALLS

- Install the bulkhead fitting in the opening provided in the back of the BioFalls. The rubber gasket should be located on the inside of the BioFalls (Ex.1). Tighten the nut on the outside until the rubber gasket begins to bulge. This should only be approximately one turn past hand-tight. Be careful not to over tighten the nut, which could possibly crack the bulkhead. Please note that the bulkhead fitting is reverse threaded. Turn the nut counterclockwise to tighten (Ex. 2).



- Now install the barb fitting included with the kit into the bulkhead fitting. A PVC slip fitting has also been included in case you are using flexible PVC pipe. Use some silicone, sealant to coat the threads of the fitting, in order to help provide a watertight seal (Ex.3).



- Now it's time to position the BioFalls in the desired location.
- The BioFalls should be set at or slightly below the grade of the yard. Simply remove a section of sod or a few inches of soil in order to create a firm foundation for the BioFalls to sit.



TIP: Keep the waterfall to the scale of the yard! The goal should be to create the perception that Mother Nature herself has constructed the waterfall. Avoid creating a "volcanic look" by trying to raise the BioFalls too high in a flat backyard.

- Be sure to compact the area beneath the BioFalls box using a hand tamper or some other heavy flat object that can be pounded onto the soil. This will help prevent any future settling.
- Use a 2' bubble level in order to make sure your BioFalls is properly set into position. Your BioFalls should be level from side-to-side and tilt forward 1/4 of a bubble on a 2' level (Ex. 4). This will make sure the water comes over the front of the BioFalls and covers the entire spillway.



- The filter is now ready for the kink-free pipe and hose clamp to be slipped onto the barb fitting. Have someone hold the BioFalls in place in order to prevent it from shifting out of level. In some instances the tubing/hose may be tight and difficult to use with hose fitting barbs. If this is the case, we recommend heating the hose with the use of a hair dryer or simply dipping the hose for a few seconds in very hot water. Lubrication can also be used; we recommend silicone grease or vegetable oil. Once installed, the hose clamp can be tightened to secure the pipe on the fitting (Ex. 5).



- Double check to make sure the BioFalls is still level after installing the plumbing (Ex. 6).



- All of the soil removed from the excavation can be spread and compacted around the BioFalls, creating a berm. The filter should be completely surrounded by soil by the end of the project. Be sure to verify that the BioFalls remains level throughout the process.

NOTE: If installing into an existing pond. You may need to bring in extra dirt to backfill and create a berm around the BioFalls.

STEP 3

ATTACH LINER TO THE BIOFALLS

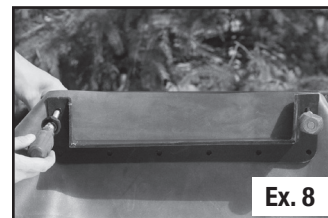
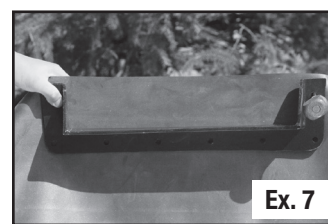


WARNING: Power tools are not recommended for installing the screws and may strip the nut inserts.

- Prior to installing the waterfall lip, make sure the face of the filter and liner is clean and free of dust and debris.
- Make sure there is at least 2 feet of liner on either side of the BioFalls.
- Have someone hold the liner against the BioFalls while you line up the waterfall lip over the liner. Make sure there are no wrinkles and the liner comes up above the sides of the BioFalls. Be sure that you have a few inches of slack liner along the front base of your BioFalls. This will help reduce

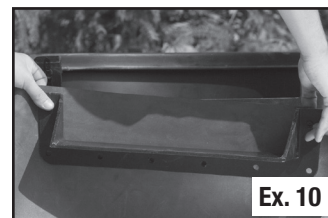
tension on the waterfall lip when placing boulders in front of the unit (Ex. 7).

- Temporarily install the waterfall lip and liner to the BioFalls using the two outermost screws. Using an awl or nail, poke the first hole in the liner all the way through to the inside of the BioFalls (Ex. 7 & 8). Be careful not to damage the threads on the nut inserts when punching the holes with the awl. Remove the awl or nail while holding waterfall lip and liner in place and begin threading one of the screws into the filter (Ex. 8).

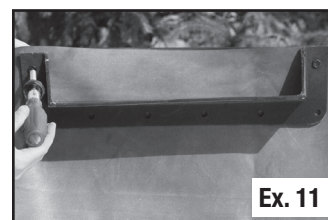


- Repeat this process for the other screw.
- Remove the waterfall lip from the BioFalls, keeping the screws installed through the waterfall lip and liner.

- Place a thick bead of silicone (not included) across the insert nuts on the front of the BioFalls (Ex. 9). Pre-installing the two screws in the earlier steps will make it easy to line up the waterfall lip after the silicone is applied and will keep the silicone in as thick of a bead as possible (Ex. 10).



- Reattach the waterfall lip and liner using the two pre-installed screws (Ex. 11).



- Using an awl or nail, poke the remaining holes in the waterfall lip and install the rest of the screws.

- Remove extra liner, using the waterfall lip as a guide. Install the rest of the screws (Ex. 12).

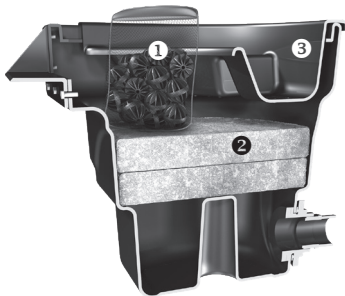


- Let dry for at least one hour before introducing water.

STEP 4

INSTALLING THE FILTER PADS AND MEDIA BAG

- Install the two filter pads into the BioFalls.
- Add approximately 10 lbs of lava rock or Aquascape BioBalls™ (not included) into the media net. Set the media bag on top of the filter mats.



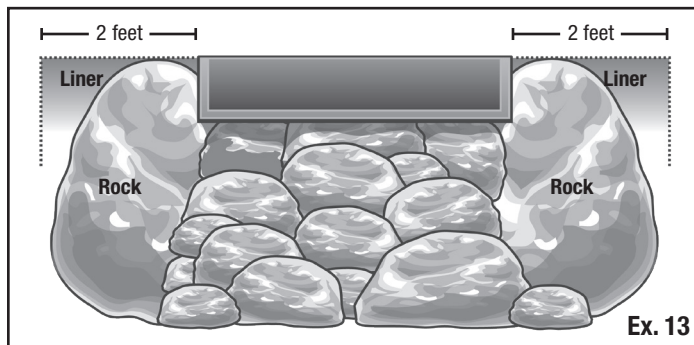
BioFalls Filter

- 1 Biological Media net to hold BioBalls or Lava Rock sold separately
- 2 Two standard biological filter mats
- 3 Rock tray (not included) can hold rocks, plants, and gravel, helping to naturalize the filter into the surrounding landscape

STEP 5

BUILD THE WATERFALL

- Place two larger boulders on either side of the waterfalls you are creating in order to “frame” the waterfalls. The water will be running between the two larger boulders you’ve set in place (Ex. 13).



- You can now begin to stack the rocks between the two larger boulders. These are the rocks that the water will be running over, so take your time and be creative. Start with the larger rocks on the bottom and work your way up to the smaller ones on top.
- Small stones and gravel can be used to fill in the gaps between the larger waterfall stones (Ex. 14).



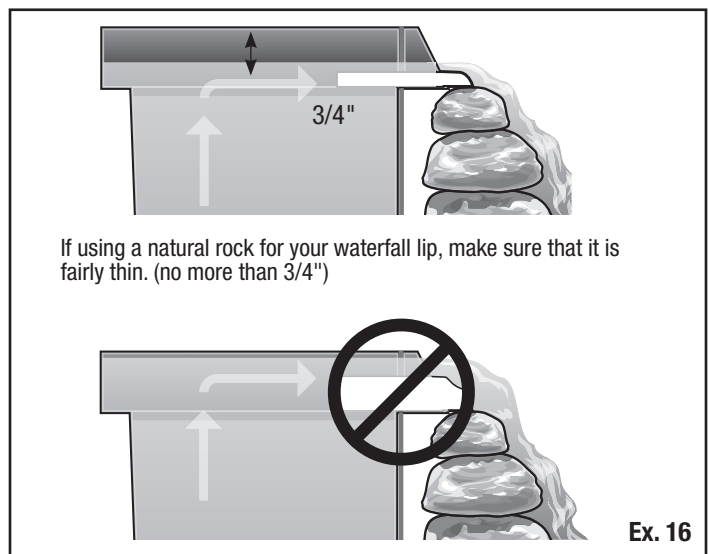
- Use the Pond and Waterfall Foam Sealant (not included) to fill in gaps between the stones that water is flowing over (Ex. 15). The foam keeps the water flowing over the top of the waterfall stones. Without the Pond and Waterfall Foam Sealant, you will lose waterflow as the water will travel and get lost beneath the rocks.



- Let dry for at least one hour before introducing water.



TIP: The BioFalls is designed with a plastic lip for the water to cascade off. You can use the plastic lip or hide the lip using a piece(s) of thin (no more than 3/4" thick) natural slate (Ex. 16). This stone can be attached to the BioFalls using Aquascape Black Waterfall Foam.



STEP 6

BRING IN THE TOPSOIL

- Add topsoil to the berm and surrounding area in order to provide a good substrate for future landscape planting.

STEP 7

BUILD THE RETAINING WALL

- Finish off the berm where the BioFalls is buried by building a small retaining wall out of boulders (Ex. 17). This step may or may not be needed, depending on the size of the berm and the transition into the existing landscape.



STEP 8

PLUG IN AND TWEAK THE WATERFALLS

- As soon as the pond is filled and all of the Pond and Waterfall Foam is dry, you may plug the pump in and test the waterfall.



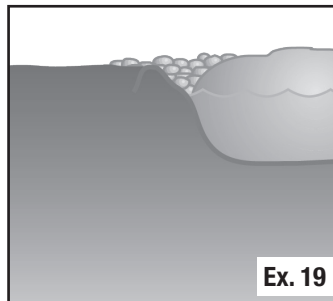
WARNING: Any electrical should be plugged into a GFCI rated receptacle.

- You can tweak the waterfall flow by placing smaller stones and gravel on the waterfall cascades. This will change the appearance and sound of the water. Have fun playing with the flow of water coming over the falls until you achieve the desired effect.

STEP 9

TRIM THE LINER

- With everything running, go around the perimeter of the pond with a pair of scissors and trim off any excess liner, always leaving several inches above the water level as a precaution (Ex. 18). The remaining liner edges can be covered with gravel (Ex. 19).



WARNING: Do not trim the liner until the waterfall is running and the pond is filled to the desired level. Prematurely trimming the liner may cause leaks.

STEP 10

MULCH THE BERM

- The entire area surrounding the BioFalls can now be mulched and any surrounding plants added (Ex. 20).

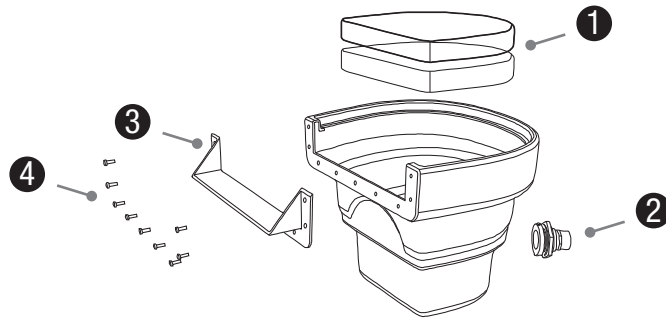


General Maintenance

- The BioFalls Filter is the starting point of your waterfall. The filter mats and filter media provide a home for the beneficial bacteria to live that help clean the pond and provide crystal clear water. BioFalls Filter is designed to require once-a-year cleaning when used in combination with a Signature Series™ Skimmer or Pondless® Waterfall Vault prefilter. These filters ensure that large debris is filtered from the water before it reaches the BioFalls Filter.
- **DO NOT** clean the filter mats or filter media bag in the BioFalls Filter more than once a year. Cleaning them, especially with chlorinated tap water, more than once-a-year will reduce or kill the beneficial bacteria growing on these filters. Replace old filter mats after several years when they begin to tear or fall apart.

Replacement Parts

BioFalls Replacement Parts	
No.	Item number/description
1.	99776 – Filter Mat
2.	29103 – 2" Bulkhead Fitting
3.	99791 – Filter Lip
4.	30078 – Brass Screw Set (8 pk)



Warranty Information

LIFETIME WARRANTY

Aquascape warrants that the BioFalls 1000 Filter will be free of manufacturing defects for the lifetime of the product if properly installed and maintained. Proof of purchase required. Warranty does not cover damage resulting from negligent handling, misuse or lack of reasonable maintenance or care. If upon Aquascape's inspection, the Biofalls shows evidence of a manufacturing defect, Aquascape's liability is limited, at Aquascape's option, to the repair of the defect, replacement of the defective product, or refund of the original purchase price. The warranty excludes costs of labor, removal of product, shipping and expenses related to the installation and re-installation of the product. All products that include plumbing (tubing, pumps, check valves) need to be properly drained and winterized otherwise warranty is null and void. No liability for loss or damage of any nature or kind, whether arising out of or from the use of the product, whether defective or not defective, is assumed by Aquascape, Inc. or its affiliates. Aquascape shall not be liable for any incidental, consequential or other damages arising under any theory of law whatsoever.

For more information about our company or products, please visit our website at aquascapeinc.com or call us at US (866) 877-6637 CAN (866) 766-3426



BIOFALLS^{MD} 1000 FILTER

BioFalls^{MD} 1000 Filter
Référence #99774





Merci d'avoir choisi le filtre BioFalls 1000.

Chez Aquascape, nous connectons les gens à l'eau comme le veut la nature. Depuis 1991, nous créons et testons sur le terrain des caractéristiques d'eau afin de vous fournir les produits les plus fiables et le meilleur rapport qualité-prix dans l'industrie de l'eau.



BioFalls^{MD} 1000 Filter

Le filtre Aquascape BioFalls offre une filtration indispensable pour les étangs artificiels sous forme de magnifique chute d'eau. Durable polyéthylène moulé en rotation garantie une durabilité maximale pour faire face à tous les intempéries de mère nature. Tous les filtres Aquascape BioFalls sont garantie à vie!

TABLE DES MATIÈRES

Introduction	10
Contenu	11
Outils recommandés	11
Symboles utiles	11
Instructions pour l'installation	12
Entretien général	16
Pièces de rechange	16
Informations sur la garantie	16

☎ Communiquez avec nous

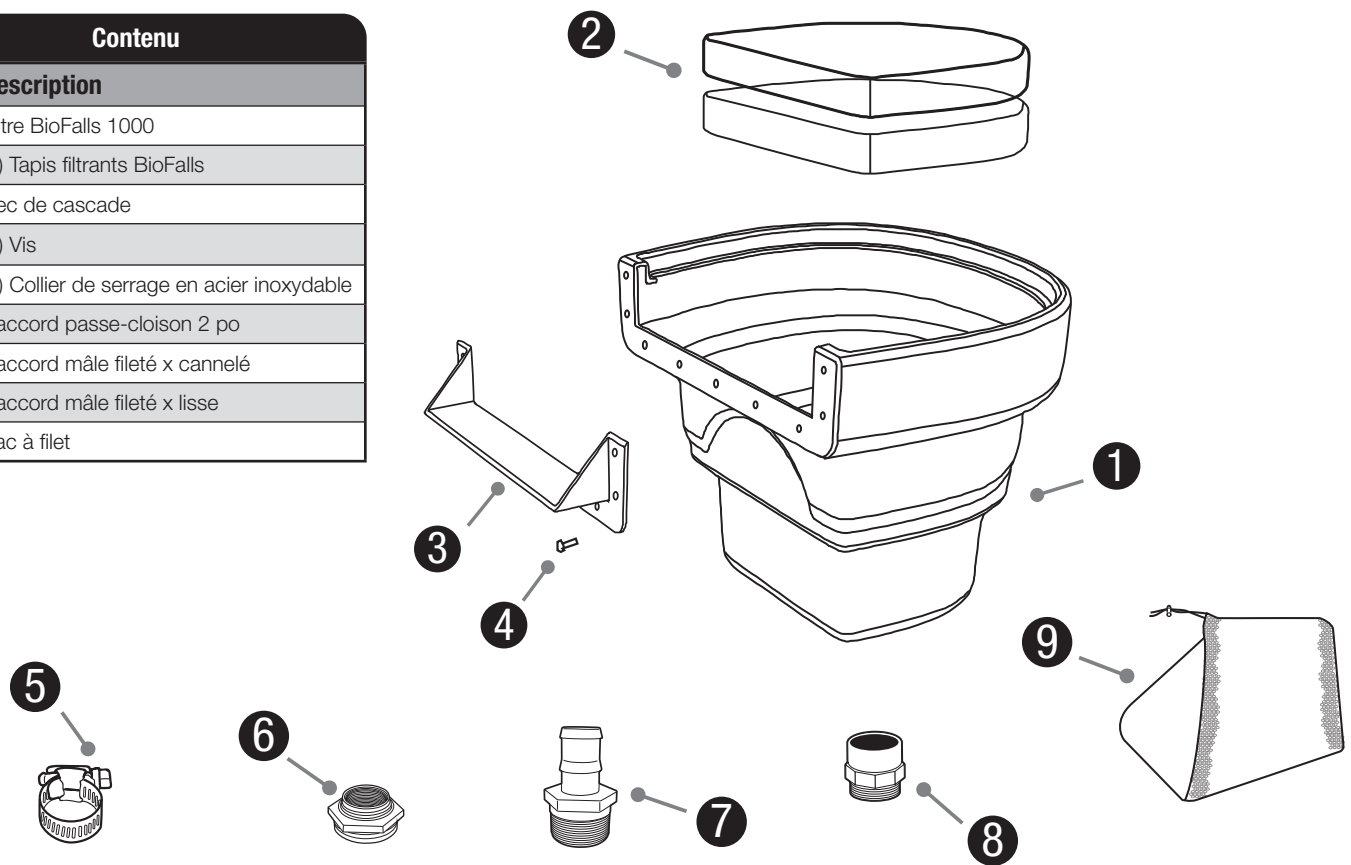
Pour plus de renseignements sur notre entreprise ou nos produits, veuillez vous rendre sur notre site Web aquascapeinc.com ou appeler le (866) 877-6637 (aux É.-U.) ou le (866) 766-3426 (au Canada).

Rejoignez-nous sur :



facebook.com/aquascapeinc
youtube.com/aquascape4
pinterest.com/aquascapeinc
instagram.com/aquascape_inc/

Contenu	
N°	Description
1.	Filtre BioFalls 1000
2.	(2) Tapis filtrants BioFalls
3.	Bec de cascade
4.	(8) Vis
5.	(2) Collier de serrage en acier inoxydable
6.	Raccord passe-cloison 2 po
7.	Raccord mâle fileté x cannelé
8.	Raccord mâle fileté x lisse
9.	Sac à filet



Outils recommandés



Brouette



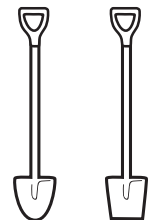
Peinture au pistolet de couleur vive



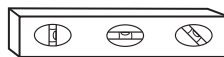
Tournevis



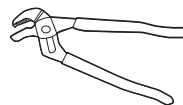
Dameuse



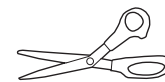
Pelles



Niveau à bulle



Pince multiprise à crémaillère



Ciseaux

Symboles utiles



Symbole MISE EN GARDE - Vous alertera sur la possibilité de dommages corporels ou matériels si vous ne vous conformez pas aux avertissements qui les accompagnent. Le danger peut avoir une origine mécanique ou être dû à une électrocution.



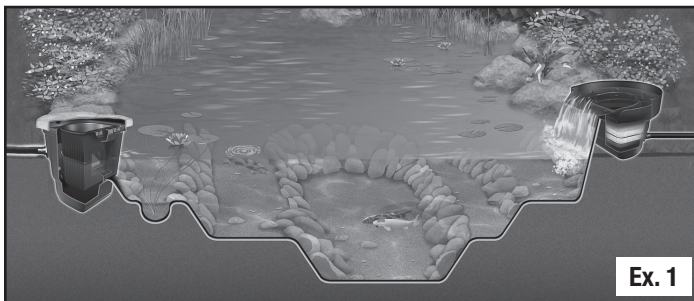
Symbole CONSEIL - Informations utiles fournies par un installateur professionnel de bassins.

Installation

ÉTAPE 1

POSITIONNEMENT DU FILTRE BIOFALLS

- Pour la construction d'un nouvel étang artificiel, BioFalls est utilisé pour créer votre chute d'eau et doit être positionné de façon à ce qu'elle soit visible.
- Assurez-vous de bien positionner sur le bord du bassin pour pouvoir connecter la toile avec le filtre BioFalls. Vous aurez besoin de toile additionnelle si vous décidez de créer une rivière entre l'étang et le filtre BioFalls.
- Si vous utilisez le filtre BioFalls pour un étang artificiel existant, vous aurez besoin d'un morceau de toile additionnel d'environ 4' x 6'. La toile additionnelle devrait être assez longue pour joindre le bord du BioFalls en plus d'un extra pour couvrir les bords de l'étang et prévenir la perte d'eau.
- Si vous utilisez BioFalls avec une écumoire, nous recommandons de positionner le BioFalls directement à l'opposé de l'écumoire (Ex. 1).



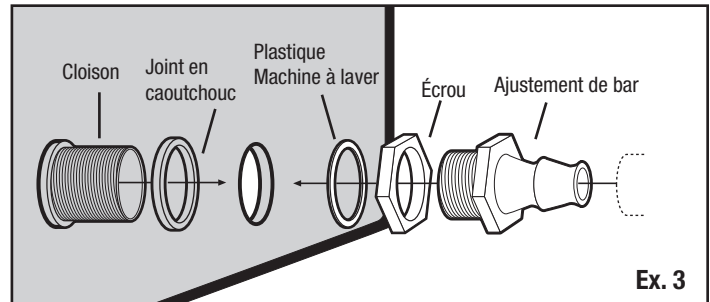
ÉTAPE 2

RACCORD ET MISE À NIVEAU DE LA BIOFALLS

- Posez le raccord de traversée de cloison dans l'ouverture pratiquée à l'arrière de la BioFalls. Le joint en caoutchouc doit être positionné à l'intérieur de la BioFalls. Serrez l'écrou à l'extérieur jusqu'à ce que le joint en caoutchouc commence à se bomber. Environ un tour supplémentaire après le serrage à la main devrait suffire. Veillez à ne pas trop serrer l'écrou, sinon la cloison pourrait se fissurer. Veuillez noter que le filet du raccord de traversée de cloison est à pas inverse. Tournez l'écrou dans le sens contraire des aiguilles d'une montre pour le serrer (Ex. 2).



- Posez maintenant le raccord cannelé, fourni avec l'ensemble, dans le raccord de traversée de cloison. Un raccord glissant en PVC est également fourni pour le cas où vous utiliseriez un tuyau flexible en PVC. Utilisez l'agent d'étanchéité à base de silicone qui est fourni dans votre kit pour recouvrir les filets du raccord et obtenir ainsi un joint étanche (Ex.3).



- C'est maintenant le moment de positionner la BioFalls à l'endroit voulu.
- La BioFalls doit être posée au même niveau que le sol du jardin ou légèrement en dessous. Retirez simplement une motte de gazon ou de la terre sur quelques centimètres pour créer une fondation solide sur laquelle reposera la BioFalls.



POINTE : la chute d'eau doit s'intégrer naturellement dans le jardin! L'objectif consiste à donner l'impression que c'est la nature elle-même qui a formé la chute d'eau. Évitez de donner à la chute d'eau un aspect « volcanique » en essayant de surélever la BioFalls dans un jardin plat.

- Assurez-vous de bien tasser la zone sous le boîtier de la BioFalls en utilisant un pilon ou un objet lourd et plat qui peut être frappé sur le sol. Ceci empêchera tout affaissement futur.
- Utilisez un niveau à bulle de 2 pi pour vous assurer que la BioFalls soit dans une position appropriée. La BioFalls doit être à niveau transversalement et inclinée vers l'avant d'un quart (1/4) de bulle sur un niveau de 2 pi (Ex. 4). Ainsi, vous serez certain que l'eau passe sur le devant de la BioFalls et recouvre entièrement le déversoir.



- Le filtre est maintenant prêt pour que le tuyau et le collier de serrage sans coude soient glissés sur le raccord à ardoillon. Demandez à quelqu'un de maintenir les BioFalls en place afin d'éviter qu'ils ne soient dépassés.



Dans certains cas, le tube / tuyau peut être serré et difficile à utiliser avec des barbes de raccord de tuyau. Dans ce cas, nous vous recommandons de chauffer le tuyau avec un sèche-cheveux ou simplement de le plonger quelques secondes dans de l'eau très chaude. La lubrification peut également être utilisée. nous recommandons la graisse de silicone ou l'huile végétale. Une fois installé, le collier de serrage peut être serré pour fixer le tuyau sur le raccord (Ex. 5).

- Vérifiez à nouveau que les BioFalls sont toujours de niveau après avoir installé la plomberie (Ex. 6).



- Toute la terre retirée de l'excavation peut être épanchée et compactée autour des BioFalls, créant ainsi une berge. Le filtre devrait être complètement entouré de terre à la fin du projet. Assurez-vous de vérifier que les BioFalls restent à niveau tout au long du processus.

REMARQUE : Pour l'installation dans un étang existant, vous aurez peut-être besoin de remblayage additionnel pour bien recouvrir le bord de la BioFalls.

ÉTAPE 3

JOINDRE LA TOILE AVEC LA BIOFALLS



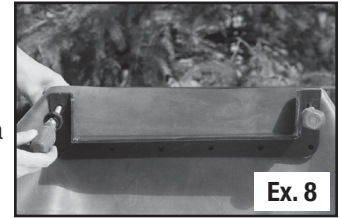
MISE EN GARDE : Les outils électriques ne sont pas recommandés pour poser les vis, car ils peuvent endommager les inserts d'écrou.

- Avant l'installation du rebord de la chute d'eau, assurez-vous que le devant du filtre et de la toile soient propres et sans débris.
- Assurez-vous qu'il y a 2 pieds de toile sur chaque côté de la BioFalls.
- Demandez l'aide d'un assistant pour tenir la toile sur la BioFalls. Alignez le rebord de la chute d'eau sur la toile. Assurez-vous que la toile soit sans plis et qu'elle

dépasse les côtés de la BioFalls. Assurez-vous d'avoir quelques pouces d'extra le long du devant de la base de votre BioFalls. L'extra toile réduit la tension sur la bouche de la chute d'eau lors du placement de grosses pierres devant l'unité (Ex. 7).



- Fixer temporairement le rebord de la chute d'eau et la toile de la BioFalls en utilisant les deux vis supérieures. Utiliser une alène ou un clou pour percer le premier trou vers l'intérieur de la BioFalls (Ex. 7 & 8). Faites attention lorsque vous percez les trous de ne pas endommager le filetage des écrous avec l'alène! Retirer l'alène ou le clou tout en retenant la bouche de la chute d'eau et la toile en place puis introduire la première vis dans le filtre (Ex. 8).



- Répétez cette étape pour les autres vis.
- Retirez le rebord de la chute d'eau situé sur la BioFalls tout en laissant les vis installées à travers le rebord de la chute d'eau et de la toile.

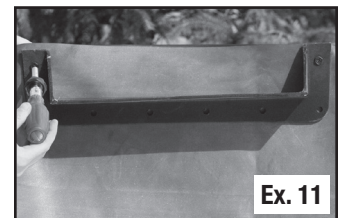
- Placer un cordon généreux de silicone (non inclus) entre et sur les trous pour les trous à vis devant le BioFalls (Ex. 9). Les deux vis préinsérées dans les étapes antérieures facilitent l'alignement de la bouche de la lèvre sur le silicone et aident à éviter d'étendre le silicone lors de la mise en place (Ex. 10).



- Fixer de nouveau la lèvre de la chute d'eau et la toile avec les deux vis pré-insérées (Ex. 11).



- Utiliser une alène ou un clou et percer les trous restants à travers la bouche de la chute d'eau et insérer toutes les vis.



- Retirez l'extra de toile en utilisant la lèvre de la chute d'eau comme gabarit (Ex. 12).

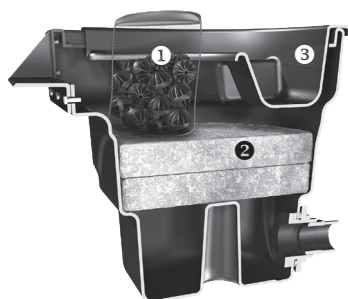


- Laissez sécher pour un minimum d'une heure avant d'introduire l'eau!

ÉTAPE 4

POSE DES TAMPONS FILTREURS ET DU SAC DE MATIÈRES

- Posez les deux tampons filtreurs dans la BioFalls.
- Ajoutez environ 10 lb de pierre de lave ou de BioBalls™ Aquascape (non fournis) dans le filet de matières. Posez le sac de matières sur la partie supérieure des tampons filtreurs.



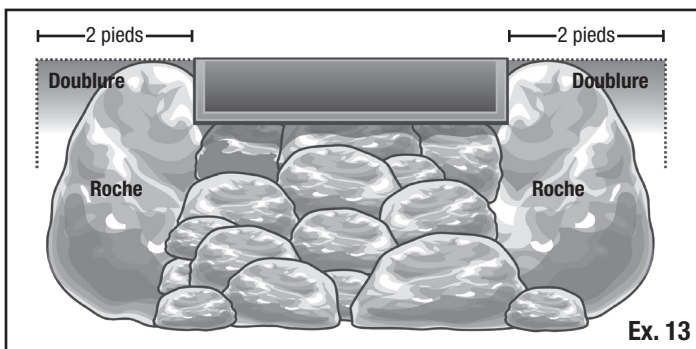
Filtre de la BioFalls

- 1 Filet de matières biologiques pour retenir les BioBalls ou la pierre de lave (les BioBalls et la pierre de lave sont vendus séparément)
- 2 Deux tampons filtreurs biologiques standard
- 3 Un plateau pour roches (non fourni) peut servir de support à des roches, des plantes et du gravier, aidant ainsi le filtre à se fondre dans la nature environnante

ÉTAPE 5

CONSTRUIRE LA CASCADE

- Pour lui donner un « cadre naturel », placez deux grosses roches de chaque côté de la chute d'eau que vous créez. L'eau coulera entre les deux grosses roches que vous avez déposées (Ex. 13).



- Vous pouvez maintenant commencer à empiler les roches entre les deux grosses roches. Ce sont les roches sur lesquelles l'eau coulera; prenez donc votre temps et faites preuve de créativité. Commencez par les roches les plus grosses sur le fond et empilez les roches de telle sorte que les plus petites soient en haut.
- Des petites pierres et du gravier peuvent être utilisés pour remplir les espaces entre les pierres les plus grosses de la chute d'eau (Ex. 14).



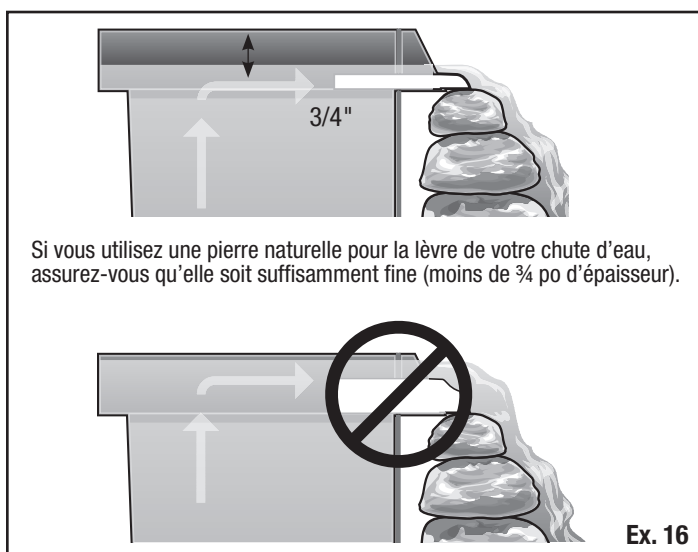
- Uroches sur lesquelles l'eau court (Ex. 15). La mousse prévient l'eau de pénétrer à travers les pierres. Sans la mousse pour étang & chute d'eau, l'eau peut facilement s'échapper. L'eau peut voyager et se perdre à travers les pierres.



- Laissez sécher au moins une heure avant de mettre de l'eau.



POINTE : La BioFalls est conçue avec une lèvre en plastique pour que l'eau puisse se déverser en cascade. Vous pouvez utiliser la lèvre en plastique ou la cacher en utilisant un ou plusieurs morceaux d'ardoise naturelle fine (ayant moins de 3/4 po d'épaisseur) (Ex. 16). Cette pierre peut être attachée à la BioFalls en utilisant de l'Aquascape Black Waterfall Foam.



ÉTAPE 6

AJOUTEZ DE LA TERRE VÉGÉTALE

- Ajoutez de la terre végétale sur la banquette et sur la zone l'entourant afin de fournir un bon milieu de culture pour les plantes d'ornement.

ÉTAPE 7

CONSTRUISEZ LE MUR DE SOUTÈNEMENT

- Fignolez la banquette là où la BioFalls est enterrée en construisant un mur de soutènement en grosses roches (Ex. 17). Il se peut que cette étape ne soit pas nécessaire; tout dépend de la taille de la banquette et de la manière dont elle se fonde dans le milieu environnant.



ÉTAPE 8

BRANCHEZ ET AJUSTEZ LA CHUTE D'EAU

- Dès que le bassin est rempli et que toute la mousse noire de la chute d'eau est sèche, vous pouvez brancher la pompe et tester la chute d'eau.



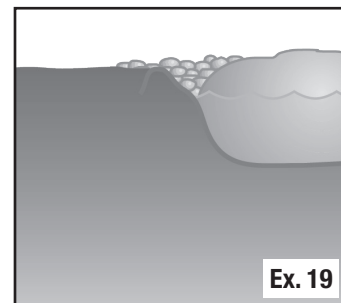
MISE EN GARDE : Tout appareil électrique doit être branché dans une prise homologuée à disjoncteur de fuite de terre.

- Vous pouvez ajuster le débit de la chute d'eau en plaçant des pierres plus petites et du gravier sur la cascade de la chute d'eau. Ceci changera l'aspect et le son de l'eau. Amusez-vous en jouant avec le flux d'eau passant dans la chute d'eau jusqu'à ce que vous obteniez l'effet souhaité.

ÉTAPE 9

TAILLEZ LA POCHE

- Une fois que l'eau coule, faites le tour du bassin avec une paire de ciseaux et taillez la partie de la poche qui est en trop en ayant toujours soin de laisser une bande de plusieurs centimètres au-dessus du niveau d'eau à titre de simple précaution (Ex. 18). Les bords restants de la poche peuvent être recouverts de gravier, de mottes de gazon ou de paillis (Ex. 19).

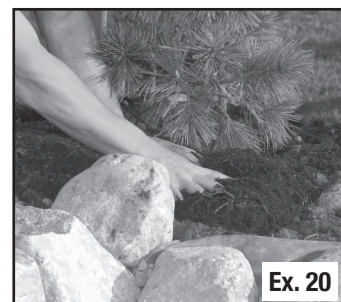


MISE EN GARDE : Ne pas tailler la poche tant que l'eau ne coule pas dans la chute d'eau et que le bassin est rempli jusqu'au niveau souhaité. La taille prématurée de la poche peut être cause de fuites!

ÉTAPE 10

PAILLIS ET AMÉNAGEMENT PAYSAGER

- La zone entière entourant le bassin peut maintenant être recouverte de paillis et des plantes peuvent être ajoutées (Ex. 20).

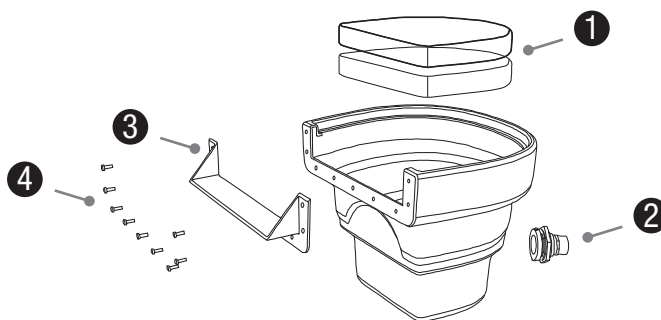


Entretien général

- Le filtre BioFalls est le point initial de votre chute. Le filtre en mousse et le filtre média sont un environnement aquatique idéal pour le développement de bactéries qui aident à nettoyer l'eau de l'étang et offrent une eau claire et cristalline. Le filtre BioFalls est conçu pour un entretien annuel lorsqu'il est utilisé en combinaison avec l'écumoire Signature Series ou le préfiltre Pondless Waterfall Vault. Ces filtres permettent la filtration de gros débris avant que l'eau se retrouve dans le filtre BioFalls.
- **NE PAS** nettoyer le filtre en mousse et le filtre masse plus d'une fois par année. Un nettoyage trop fréquent, spécialement avec l'eau du robinet contenant du chlore, plus d'une fois par année, réduit et peut tuer les bonnes bactéries situées dans le filtre. Remplacer le vieux filtre après plusieurs années d'utilisation lorsqu'il se détériore et se déchire.

Pièces de rechange

Pièces de rechange du BioFalls	
N°	Référence/description
1.	99776 – Tampon filtreur
2.	29103 – Raccord passe-cloison 2 po
3.	99791 – Lèvre de filtre
4.	30078 – Jeu de vis en laiton (lot de 8)



Informations sur la garantie

GARANTIE À VIE

Aquascape garantit que le filtre BioFalls 1000 sera exempt de défauts de fabrication pendant toute la durée de vie du produit s'il est correctement installé et entretenu. Preuve d'achat requise. La garantie ne couvre pas les dommages résultant d'une manipulation négligente, d'une mauvaise utilisation ou d'un manque d'entretien ou de soins raisonnables. Si lors de l'inspection d'Aquascape, le Biofalls montre la preuve d'un défaut de fabrication, la responsabilité d'Aquascape est limitée, au choix d'Aquascape, à la réparation du défaut, au remplacement du produit défectueux ou au remboursement du prix d'achat d'origine. La garantie exclut les frais de main-d'œuvre, de retrait du produit, d'expédition et les dépenses liées à l'installation et à la réinstallation du produit. Tous les produits qui incluent la plomberie (tubes, pompes, clapets anti-retour) doivent être correctement drainés et hivernés, sinon la garantie est nulle et non avenue. Aucune responsabilité en cas de perte ou de dommage de quelque nature que ce soit, que ce soit résultant de ou de l'utilisation du produit, défectueux ou non, n'est assumée par Aquascape, Inc. ou ses filiales. Aquascape ne peut être tenu responsable des dommages accessoires, consécutifs ou autres découlant de quelque théorie du droit que ce soit.

Pour plus de renseignements sur notre entreprise ou nos produits, veuillez vous rendre sur notre site Web aquascapeinc.com ou nous appeler au (866) 877-6637 (aux É.-U.) ou au (866) 766-3426 (au Canada).