



ULTRA WATER PUMP

Ultra 1400 Water Pump

Item #91005 24V

Ultra 2100 Water Pump

Item #91006 24V

Ultra 3000 Water Pump

Item #91007 24V

Ultra 4500 Water Pump

Item #91008 24V





Thank you for choosing the Aquascape Ultra Water Pump. At Aquascape, we connect people to water the way nature intended. Since 1991, we've been creating and field-testing water features in order to provide you with the most reliable products and best value in the water gardening industry.



Ultra Water Pump

Aquascape Ultra Water Pumps are the complete solution for small ponds, fountains and water features. Each pump includes a single or three-way flow control valve, multi-hose adapter(s) and a threaded 90° elbow connection, making it adaptable to almost any hose or application. Ultra Water Pumps are ideal for supplying water to run fountains, water features, external filters, and spitting ornaments. The combination of energy-efficient mag-drive performance, flow, and ease of maintenance makes this pump the ideal choice for discriminating water feature owners.

TABLE OF CONTENTS

Introduction	2
Contents	3
Safety Information	3
Specifications Chart	4
Installation	4
General Maintenance	5
Winter Application	7
Troubleshooting	7
Replacement Parts	8
Warranty Information	8

Contact Us

For more information about our company or products, please visit our website at aquascapeinc.com or call US (866) 877-6637 CAN (866) 766-3426 UK +44 (2031) 293805

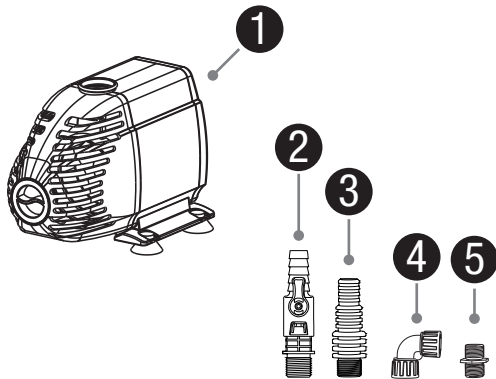
Find us on:



facebook.com/aquascapeinc
youtube.com/aquascape4
pinterest.com/aquascapeinc

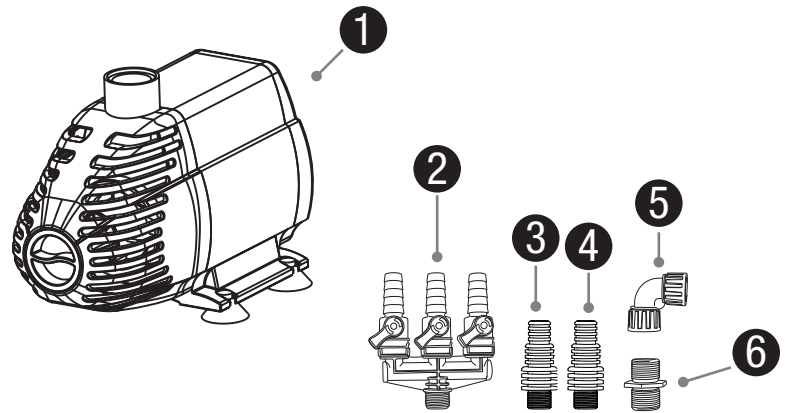
Contents 1400/2100/3000

No.	Description
1.	Ultra Water Pump
2.	¾" (19 mm) Valve
3.	¾", 1", 1.25" (19, 25, 32 mm) Multi-Hose Adapter
4.	FPT 90° Elbow ½" (12 mm)
5.	MPT Coupling ½" (12 mm)



Contents 4500

No.	Description
1.	Ultra Water Pump
2.	¾" (19 mm) 3-Way Valve
3.	1", 1.25", 1.5" (25, 32, 38 mm) Multi-Hose Adapter
4.	¾", 1", 1.25" (19, 25, 32 mm) Multi-Hose Adapter
5.	FPT 90° Elbow ¾" (19 mm)
6.	MPT Coupling ¾" (19 mm)



Safety Information



WARNING: Risk of electric shock – This pump has not been approved for use in swimming pool or marine areas



WARNING: To provide continued protection against risk of electric shock, connect appropriate transformer to properly grounded, Residual Current Device (RCD) outlets only, using the following guidelines:

- (A) The supply cord cannot be replaced. If the cord is damaged the appliance should be scrapped.
- (B) Always disconnect the appliance from the supply before assembling, disassembling or cleaning.
- (C) Appliances can be used by persons with reduced physical, sensory or mental capabilities or lack of experience and knowledge if they have been given supervision or instruction concerning use of the appliance in a safe way and if they understand the

hazards involved.

- (D) Children shall not play with the appliance.
- (E) Pumps without indication that they are protected against the effect of freezing shall not be left outside during freezing weather conditions.
- (F) Do not using extension cords.

Do not dispose of electrical appliances as unsorted municipal waste, use separate collection facilities. Contact you local government for information regarding



the collection systems available. If electrical appliances are disposed of in landfills or dumps, hazardous substances can leak into the groundwater and get into the food chain, damaging your health and well-being.

- Always operate the pump fully submerged. Failure to do so will overheat the pump and cause it to fail, thus voiding the warranty. **DO NOT OPERATE DRY!**
- Use only in fully-assembled state, paying particular attention to be sure that both the filter screen and sponge are attached to the pump. Failure to operate the pump without the filter screen or pre-filter sponge will allow large debris to enter the pump, causing the pump to fail and voiding the warranty.
- Do not wear loose clothing that may become entangled in the impeller or other moving parts.
- Keep clear of suction and discharge openings. **DO NOT** insert fingers into pump with power connected.
- Do not pump hazardous materials or liquids other than water, such as oil or organic solvents.
- Do not block or restrict discharge.
- Products returned must be cleaned, sanitized or decontaminated, as necessary, prior to shipment to

ensure that employees will not be exposed to health hazards in handling said material. All applicable laws and regulations shall apply.



IMPORTANT: *Aquascape, Inc. is not responsible for losses, injury, or death resulting from a failure to observe these safety precautions, misuse or abuse of pumps or equipment.*

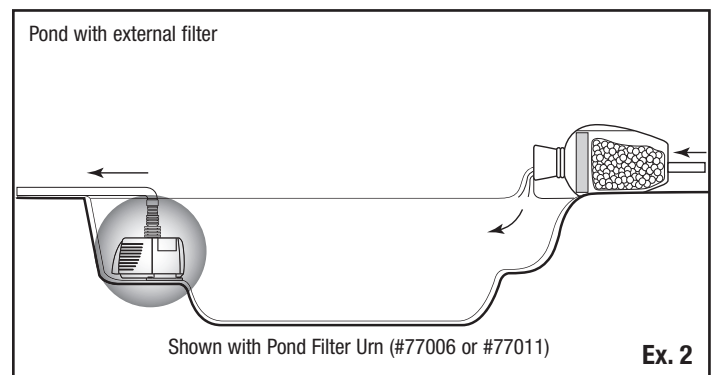
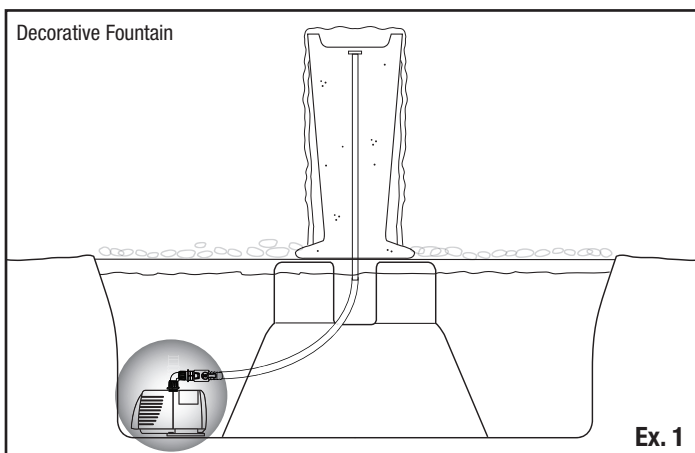
Ultra Water Pump Specifications

- Submersible pump
- For outdoor or indoor use
- Thermally protected
- This pump has been evaluated for use with water only
- Input amps and wattage: See chart below

Ultra Water Pump Specs				
Model Number	1400	2100	3000	4500
Max Flow Rate (LPH)	1 400	1 950	2 900	4 200
Max Head Height (m)	2	2	2.5	3
Motor Type	Mag-Drive			
Wattage	20	25	45	70
Power Cord Length (m)	5	5	10	
Discharge Hose Dia	½", ¾", 1", 1.25" (12, 19, 25, 32 mm)			
Ideal Pipe Dia	½", 1" (12, 25 mm)			¾", 1.25" (19, 32 mm)

Installation

- The Ultra Water Pump is designed to be submerged directly into a decorative fountain basin (Ex. 1) or pond (Ex. 2). Several features and benefits of this pump make it the ideal choice for a wide variety of water feature applications.



- To maximize pond circulation, locate the pump as far away as possible from the location of the water entering back into the water feature.

- It is recommended that the pump NOT be positioned in the deepest area of the pond. This will protect the fish by preventing the pond from completely draining in the case of a leak in the plumbing or filter. If needed, bricks or stones can be used to raise the pump off the bottom of the pond.

- The Ultra Water Pump includes an assortment of fittings for a wide variety of plumbing options. Select and install the appropriate fitting(s) for your application.

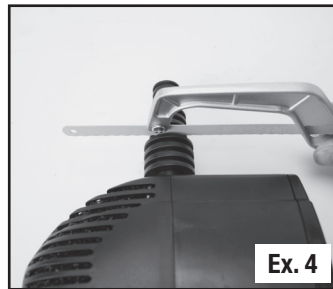
- The included Multi-Hose Adapter(s) is (are) designed to accommodate different diameters of tubing and ideal for applications using a single plumbing line.

- The Multi-Hose Adapter can be threaded directly into the discharge of the pump (Ex. 3).



Ex. 3

- If using a diameter of pipe that is larger than the smallest section of the Multi-Hose Adapter, trim off the smaller sections to prevent flow restriction (Ex. 4).



Ex. 4

- The included threaded FPT 90° elbow allows the water flow to be directed horizontally, perfect for fountain basin applications where vertical space is limited (Ex. 5).



Ex. 5

- To install the elbow, attach the included MPT Coupling to the discharge of the pump. Then thread the collared elbow fitting to the MPT Coupling to attach it to the pump.

- The collared connections allow the pump to be quickly and easily disconnected from the tubing for pump removal or maintenance.

- The convenient included 3/4" Valve 2100/3000 (Ex. 6) or 3/4" 3-Way Valve (8000) (Ex. 7) provide the ability to customize flow rates.



Ex. 6



Ex. 7

- The included flow control valve can be installed directly into the pump discharge or installed horizontally using the threaded FPT 90° elbow (Ex. 8).



Ex. 8

- Once installed, simply adjust the valve(s) to dial in the desired water flow.

- When using the 3-Way Valve, close off any unused valves to maximize water flow to the valves in use.

- Attach the tubing to the selected fitting(s) (Ex. 9) using a twisting motion (Ex. 10). If the tubing fits loosely, a hose clamp (not included) can be used to secure the attachment.



Ex. 9

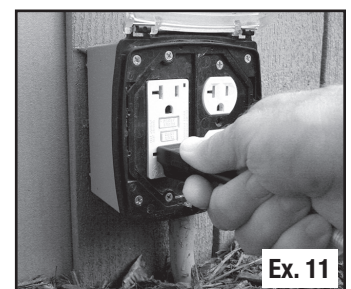
- In some instances the tubing may be difficult to attach to the selected fitting. If this is the case, we recommend heating the hose with a hair dryer or simply dipping the hose in very hot water for a few seconds prior to attachment. Lubrication can also be used; we recommend silicone grease or olive oil.



Ex. 10

- Connect the other end of the pump tubing to the decorative fountain or pond filter.

- Connect the transformer to an outlet (Ex. 11) that is protected by a Residual Current Device (RCD). Once the pump is running and water is circulating, check for leaks where the external connections are made.

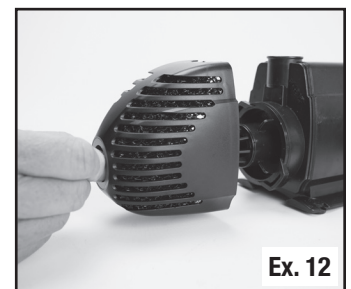


Ex. 11

General Maintenance

- We recommend inspecting your pump on a regular basis to make sure it is functioning properly. If water flow is reduced, it may be due to the filter screen or sponge being clogged with debris.

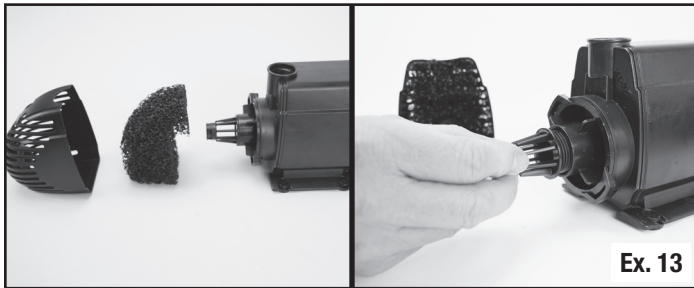
- The front screen can be removed by twisting the locking knob counter-clockwise and pulling the screen off (Ex. 12).



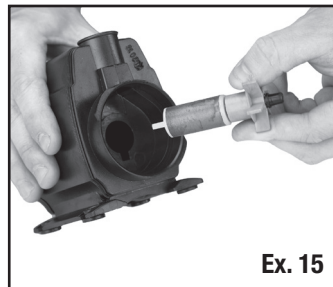
Ex. 12

NOTE: Always disconnect power before performing maintenance or removing the front cage. Do not operate with screens or sponge removed as it will void the warranty.

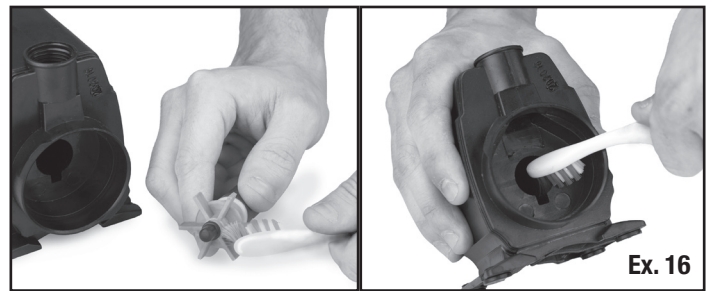
- The filter sponge protects the pump from fine particles such as sand which can damage the interior of the pump. Remove and clean the filter sponge as needed by rinsing with clean water.
- The inner filter screen should also be cleaned as needed. Remove the inner screen by twisting it counterclockwise (Ex. 13).



- Internal Pump Cleaning – If you have thoroughly cleaned the filter screens and sponge and still have diminished flow rates, you may need to clean the interior of the pump. Remove the water chamber cover by rotating it counter-clockwise ¼ turn and pulling outward (Ex. 14). This will expose the impeller assembly for closer inspection. Carefully remove the impeller from the pump, pulling outward until the impeller releases from the body of the pump (Ex. 15). Be careful not to lose the two plastic bearing washers on either end of the impeller or the centering bushings that center the ceramic impeller shaft on both ends.

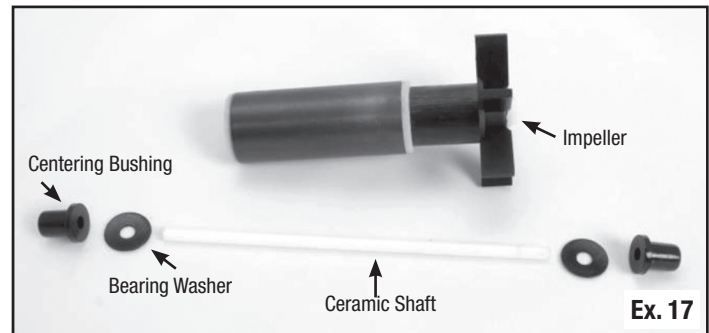


- If your rotor assembly impeller and internal pump body have excessive scale build-up, clean with a mild acid, such as white vinegar or non-abrasive calcium, lime and rust remover product. Use a sponge or soft-bristled brush that won't scratch or damage the impeller or pump body (Ex. 16). Removing scale build-up will allow your pump to run like new again.

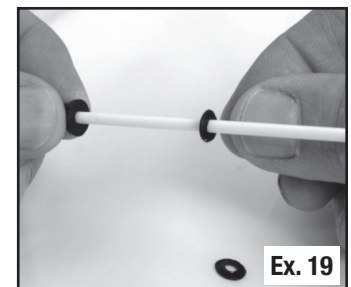
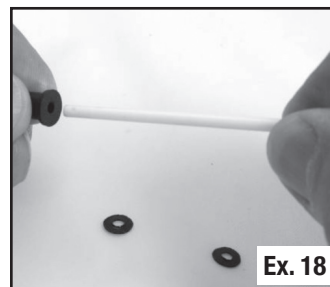


REPLACING THE IMPELLER

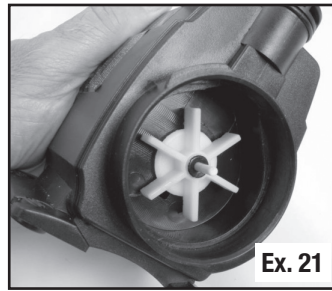
- The impeller assembly is the only moving part on the Ultra Water Pump and will experience wear and tear. If you've cleaned the pump, as described above, and still experience poor pump performance, it is most likely time to replace the impeller. Replacing the impeller is extremely easy. Replacement impeller kits are available through your local Aquascape dealer.
- Note the orientation of parts in the photo below (Ex. 17). The replacement impeller kits include all parts shown. Make sure to remove all of the original parts from the inside of the pump before installing the replacement impeller kit.



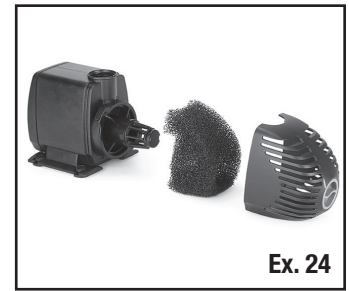
- A centering bushing is required on both ends of the impeller shaft; one bushing is located inside the pump and an outer bushing sits in the water chamber cover (Ex. 18).
- Slide the first interior bearing washer onto the ceramic shaft (Ex. 19).



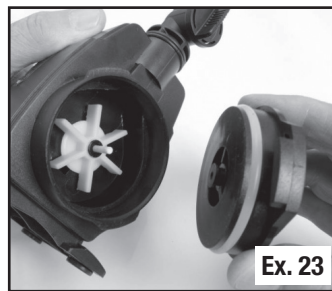
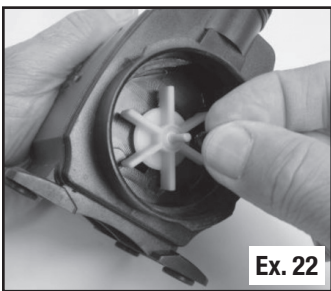
- Place the ceramic impeller shaft into the pump, checking to be sure the centering bushing seats inside the pump (Ex. 20).
- Carefully slide the impeller back onto the shaft (Ex. 21). Use caution: the impeller assembly is magnetic and will be pulled forcefully back into the pump.



- Replace the pre-filter sponge and filter screen before operating the pump. Using the pump without filter screens or sponge may damage the pump and will void the warranty (Ex. 24).



- Install second outer bearing washer over the impeller shaft (Ex. 22).
- Replace water chamber cover containing the impeller shaft centering bushing by sliding it over the impeller shaft and then rotating it clockwise to lock it into place over the tabs on the pump housing (Ex. 23).



Winter Application

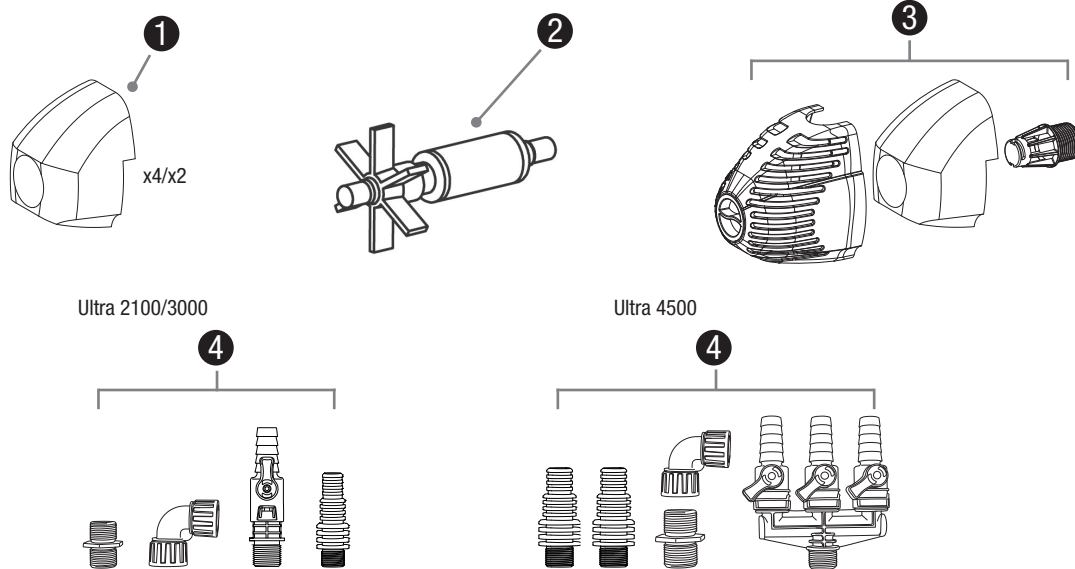
If concerned about possible freeze damage, disconnect the pump and remove the pump from the water. Clean the pump with fresh water and store the pump in a frost-free location. The pump can be run during cold weather, if desired, but should be removed in the event of a power failure to prevent any freeze damage to either the pump or the tubing.

Troubleshooting

- Reduced water flow
 - It may be necessary to clean the filter screen, sponge, and impeller.
- Pump hums but doesn't push water
 - It may be necessary to clean the filter screen, sponge, and impeller.
 - Remove the water chamber cover and inspect and clean the impeller rotor assembly and internal pump body.
 - Make sure nothing is blocking or wrapped around the impeller.
 - Make sure the pump is receiving the correct voltage.
- Pump not working
 - The Residual Current Device (RCD) may have tripped.
 - The pump is not receiving the correct voltage.

Replacement Parts

Ultra Water Pump Replacement Parts	
No.	Item number/description
1.	91033, 91034, 91035, 91036 – Ultra 1400/2100/3000/4500 Filter Sponge
2.	91039, 91040, 91041, 91042 – Ultra 1400/2100/3000/4500 Impeller Kit
3.	91050, 91051, 91052 – Ultra 1400/2100/3000 Front Cover Kit, Ultra 4500 Front Cover Kit
4.	91055, 91057 – Ultra 1400/2100/3000 Discharge Fittings Kit, Ultra 4500 Discharge Fittings Kit



Warranty Information

3 YEAR WARRANTY

Aquascape warrants that the Ultra Pump will be free of manufacturing defects for three years from date of purchase. Proof of purchase required. Warranty does not cover damage resulting from electrical supply problems, improper wiring, lightning, negligent handling, misapplication, misuse, or lack of reasonable maintenance or care. Warranty does not cover parts subject to normal wear, such as impellers. This product should only be operated in fresh water, completely submerged, without corrosive chemicals like chlorine or bromine. All products that include plumbing (tubing, pumps, check valves) need to be properly drained and winterized otherwise the warranty is null and void. Our goods come with guarantees that cannot be excluded under the Australian Consumer Law. You are entitled to a replacement or refund for a major failure and compensation for any other reasonably foreseeable loss or damage. You are also entitled to have the goods repaired or replaced if the goods fail to be of acceptable quality and the failure does not amount to a major failure.

For more information about our company or products, please visit our website at aquascapeinc.com or call us at US (866) 877-6637 CAN (866) 766-3426 UK +44 (2031) 293805