



SIGNATURE SERIES 1000 POND SKIMMER

**Signature Series 1000
Pond Skimmer**
Item #43022



aquascapeinc.com



Signature Series 1000 Pond Skimmer

Thank you for choosing the Signature Series 1000 Pond Skimmer. At Aquascape, we connect people to water the way nature intended. Since 1991, we've been creating and field-testing water features in order to provide you with the most reliable products and best value in the water gardening industry.

The Aquascape Signature Series 1000 Pond Skimmer provides efficient mechanical filtration for your pond. Our skimmers are designed to be functional, easy to install, and maintain. They include patented features that significantly decrease maintenance. This instruction manual will guide you through the proper installation of your filter as well as recommended maintenance procedures to ensure long term effectiveness.



TABLE OF CONTENTS

Introduction	2
Contents	3
Recommended Tools	3
Installation	4
General Maintenance	8
Replacement Parts	8
Warranty Information	9

Contact Us

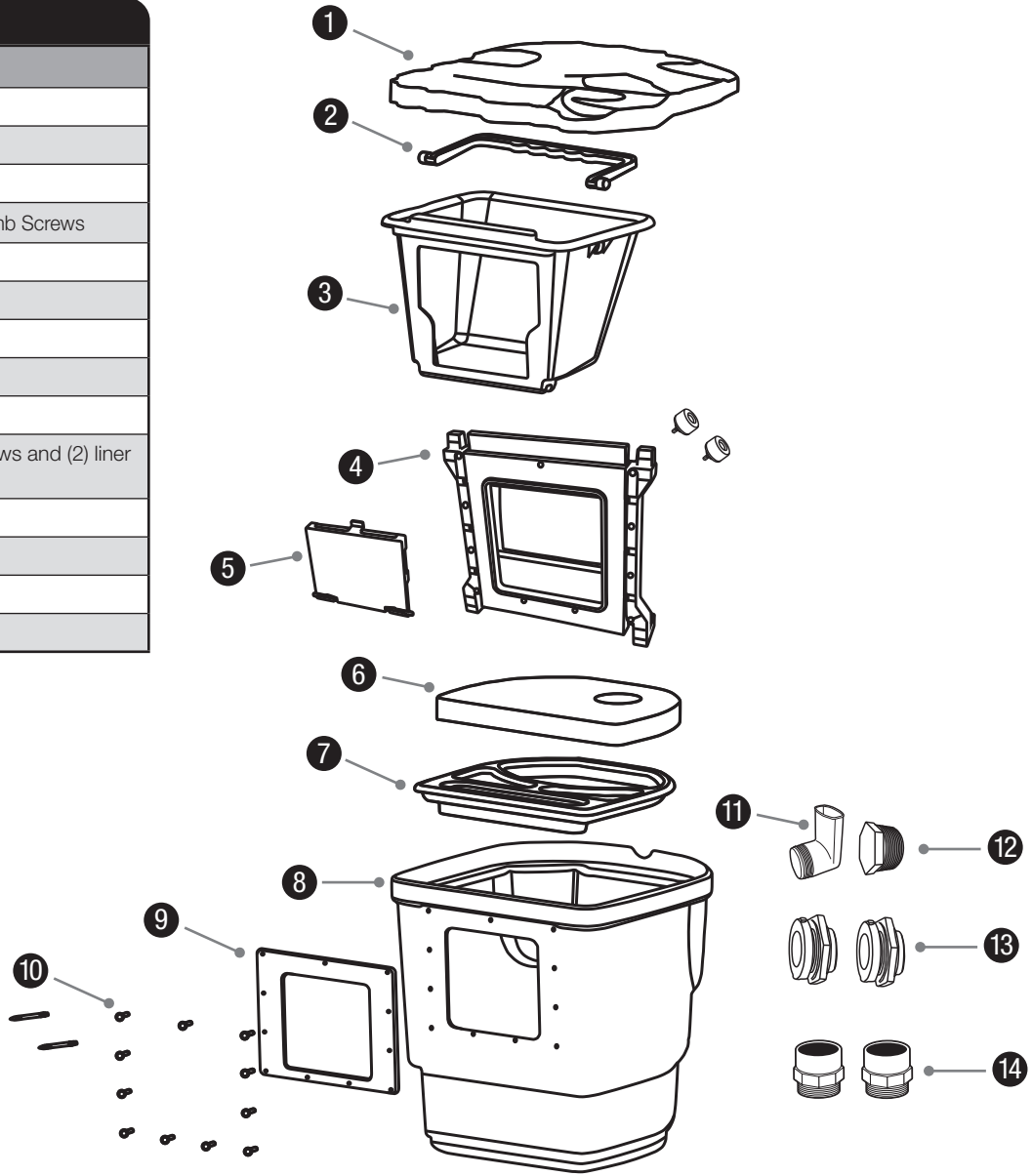
For more information about our company or products, please visit our website at aquascapeinc.com or call US (866) 877-6637 CAN (866) 766-3426.

Find us on:



facebook.com/aquascapeinc
youtube.com/aquascape4
pinterest.com/aquascapeinc
instagram.com/aquascape_inc/

Contents	
No.	Description
1.	Rock Lid
2.	Debris Basket Handle
3.	Debris Basket
4.	Interior Weir Plate Assembly w/Thumb Screws
5.	Weir Door
6.	Filter Mat
7.	Filter Mat Support Rack
8.	Skimmer
9.	Exterior Liner Plate
10.	Hardware Bag - includes (12) screws and (2) liner installation tools
11.	Overflow Elbow
12.	2" Plug
13.	(2) 2" Bulkhead Fitting
14.	(2) 2" MPT x 2" Slip



Recommended Tools



Wheelbarrow



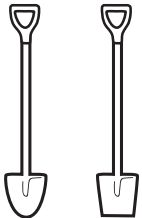
Brightly-Colored Spray Paint



Screwdriver



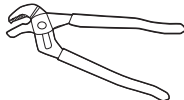
Soil Tamper



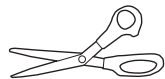
Shovel



Carpenter's Level



Channel Locks



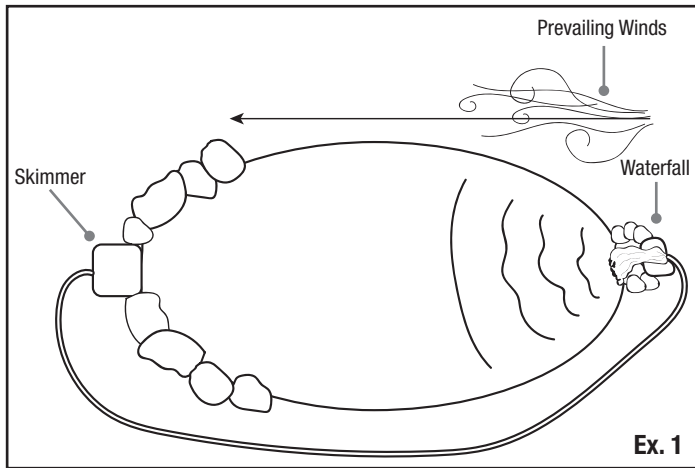
Scissors

Installation

STEP 1

PLACEMENT OF THE SKIMMER

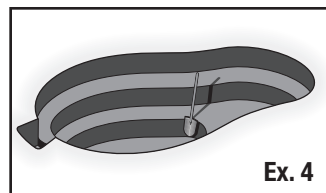
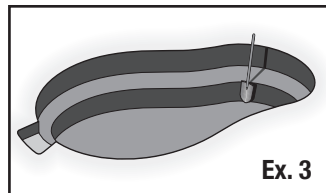
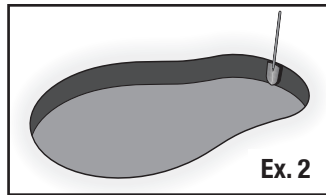
- In order to maximize circulation, the skimmer should be placed directly across from a waterfall. If you do not have a waterfall, use your area's prevailing winds to determine where you should place your skimmer along the longest axis. Use the wind to help push the debris toward the skimmer (Ex. 1).



STEP 2

EXCAVATING YOUR POND BASIN

- If you are installing the skimmer on an existing pond, skip this step and proceed to step three.
- We suggest excavating the pond 18-24" deep. This depth provides the proper water levels required for aquatic plants and is deep enough to keep fish alive during winter.
- The excavation should be dug with a series of shelves. The shelves will add stability to the walls of the pond and will also create planting beds for different types of aquatic plants.
- The first shelf should be about 8-10" deep or the height of a standard shovel blade (Ex. 2).
- Dig the second shelf another 8-10" deeper (Ex. 3).
- The third shelf (if desired) will be excavated down another 6" (Ex. 4), reaching a final excavation of 24".

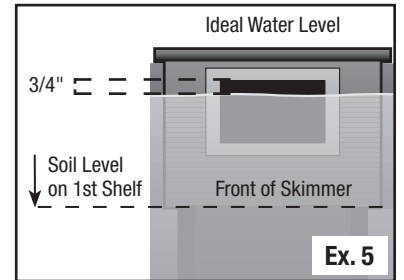


STEP 3

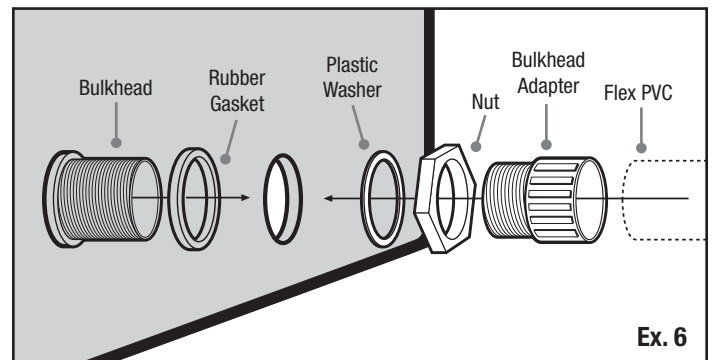
EXCAVATING YOUR SKIMMER LOCATION

- When installing a skimmer onto an existing pond, you will need to drain the water from the pond. If you have fish, save some water from the pond and place it in a large bucket, kiddie pool, or cooler. Net your fish and place them into the container. Be sure to add an aerator and keep the fish in a shaded area.
- On existing ponds, remove any rock that is in front of and within 3 feet on either side of where you will place the skimmer. Pull your existing liner and underlayment back into the pond 3 to 4 feet from the edge to expose the area that needs to be excavated for the skimmer.
- We recommend placing the skimmer upside-down in the position you have chosen. Overhang about 6" towards the inside of the pond to allow some slack in the liner and make attaching the exterior liner plate easier.
- Using a can of brightly-colored spray paint, trace around the skimmer to outline the area that is to be excavated.

- Excavate the skimmer to a depth so that the proposed water level in the pond is approximately 3/4" below the top of the opening of the skimmer (Ex. 5). If installing on an existing pond, use the known water level as your guideline on how deep to excavate the skimmer.



- Make sure the excavated area under the skimmer is compacted and level.
- Install the two bulkheads into the back of the skimmer prior to dropping it into the excavated hole. Make sure the rubber gasket is installed on the inside of the skimmer (Ex. 6). The filter has two openings on the back, allowing multiple plumbing options.



- Use a 2-foot bubble level to make sure your skimmer is properly set into position. Your skimmer should be level from side to side and front to back (Ex. 7).



Ex. 7

STEP 4

INSTALLING THE SKIMMER

- For single pump applications, the pump plumbing line attaches into one bulkhead and the optional overflow or 2" plug (if no overflow is desired) can be attached to the other (Ex. 8). Use the angle of the bulkheads to your advantage by choosing the bulkhead that works best with the direction you want to run your plumbing.
- For double pump applications, each pump will hook up to one of the bulkheads. A third hole will need to be drilled in the back of the skimmer if you want to add an overflow. A drill point guide can be found on the back of the skimmer between the existing ports. Use a 3" hole saw to drill the opening for another 2" bulkhead fitting (item #29103 sold separately) (Ex. 9).
- Install a PVC slip fitting into each bulkhead on the outside of the skimmer to receive the pump plumbing and overflow plumbing.



Ex. 8



Ex. 9

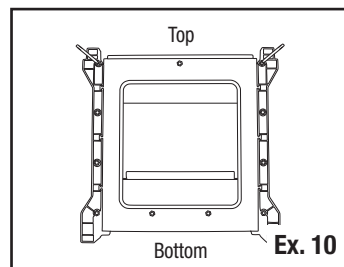
NOTE: Use silicone sealant (#22010) or (#29186) or Teflon tape (not included) to coat the threads of the fittings, providing a watertight seal.

ATTACHING THE SKIMMER EXTERIOR LINER PLATE

NOTE: Power tools are not recommended for installing the screws and may strip the threaded nut inserts.

- Thread the two included liner installation tools into the upper left and right corners of the interior weir plate

assembly. Make sure the interior weir plate assembly is oriented with three screw inserts across the top and four screw inserts across the bottom (Ex. 10).



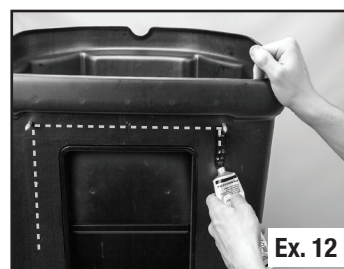
Ex. 10

- Then install the interior weir plate assembly into the inside of the skimmer, guiding the two liner installation tools through the top left and right screw holes of the skimmer (Ex. 11). The liner installation tools will hold the interior weir plate assembly in position during the remaining liner installation steps.



Ex. 11

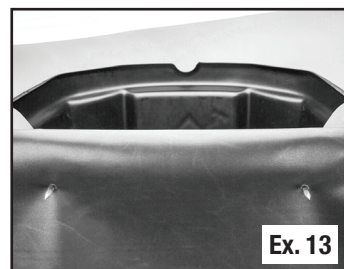
- Once the interior weir plate assembly is in position, apply a thick bead of fish-safe silicone sealant (#22010) or (#29186) around the skimmer opening over the nut inserts as pictured (Ex. 12). This will help to create a watertight seal.



Ex. 12

- Wipe the section of liner that is to be connected to the skimmer free of any dust or debris. Bring the liner up toward the face the skimmer. **Do not press the liner up against the silicone or skimmer opening at this time.** Make sure the liner does not have any wrinkles when positioning it in front of the skimmer. Also make sure you have some excess liner below the skimmer opening to eliminate any tension on the skimmer exterior liner plate when setting boulders near the filter.

- Once the liner is in the proper position, puncture the liner over each of the top two liner installation tools, allowing the liner to hang in place (Ex. 13). Do not press the liner against the silicone or skimmer opening at this time.



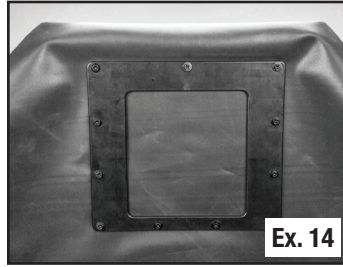
Ex. 13

- Now slide the exterior liner plate over the top two liner installation tools and press the exterior liner plate and liner against the silicone and skimmer opening.

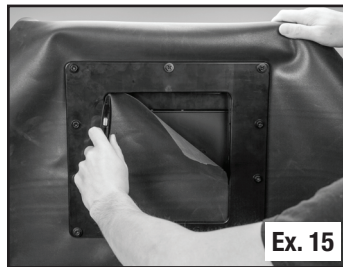


IMPORTANT: Make sure the exterior liner plate is installed with three holes at the top and four at the bottom.

- Fasten the exterior liner plate to the skimmer with the included screws, using an awl or nail to puncture the liner through the screw holes prior to threading in each screw. Start with the two bottom middle screws followed by the top middle screw, located between the liner installation tools. Then install the remaining screws on the sides of the skimmer opening.



- Remove the two liner installation tools from the upper corners and install the final two screws (Ex. 14).

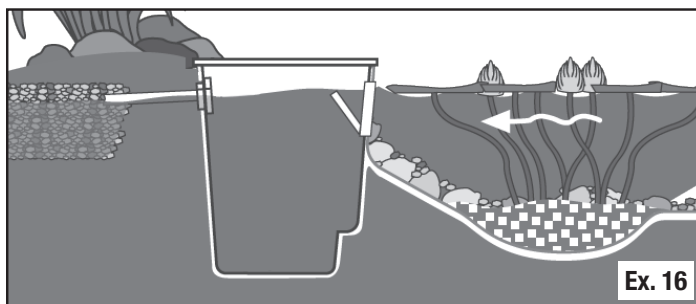


- Using a knife or pair of scissors, cut the liner opening along the interior edge of the exterior liner plate (Ex. 15). Your skimmer exterior liner plate installation is now complete.

- Let dry for at least one hour before introducing water.

OPTIONAL OVERFLOW INSTALLATION INSTRUCTIONS

- The built-in overflow will allow the water in an overflow situation to flow through the pipe and drain away from the pond. Use the 2" plug to plug the bulkhead if you do not want the overflow option.
- Excavate a trench for a section of PVC Flex pipe to come off the back of the desired bulkhead. The trench should be no less than 5 feet from the back of the skimmer and graded away from the pond (Ex. 16).



- Create a drainage area at the end of the pipe by excavating a small pit, roughly 16 inches in diameter and at least 12" deep. Fill the pit with excess gravel.
- Prime and glue a section of PVC Flex pipe into the bulkhead and run it to the top of the gravel pit. Cover the gravel pit with a small section of underlayment and top with soil.
- Install the overflow elbow into the corresponding bulkhead on the inside of the skimmer. Use silicone sealant (#22010) or (#29186) or Teflon tape (not included) on the threads

prior to installing the fitting. Hand-tighten the fitting in the bulkhead as far as possible with the overflow arm in the highest position. The final overflow adjustment can be made once the final water level is set using the adjustable skimmer exterior liner plate. See the section on adjusting the adjustable exterior liner plate and overflow (page 8).

STEP 5

ADD ROCK AND GRAVEL

NOTE: You can expect to use several tons of stone and gravel for a complete water feature installation. Below are some helpful formulas for choosing stone and gravel for complete installations.

Stone Calculation for the Pond

$$\text{Length (ft)} \times \text{Width (ft)} / 65 = \text{Tons of boulders}$$

Gravel Used in the Pond

$$\text{Pond Gravel} = 30\% \text{ total tons of pond boulders}$$

- Start from the bottom and set the largest character boulders first against the vertical walls, then stack the smaller boulders on top (Ex. 17).



- Be careful not to damage the liner when placing boulders.
- The opening on the front of the skimmer can be hidden by placing boulders on both sides and bridging a stone or piece of driftwood across, creating a cave effect.

NOTE: Make sure the boulders do not block the water flow into the skimmer.

- Cover all remaining flat surfaces inside the pond with a couple inches of decorative gravel. This will help lock the boulders in place and cover the remaining liner, protecting it from ultraviolet rays and giving bacteria a place to colonize.

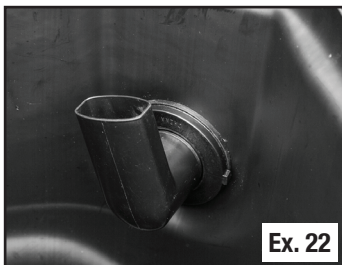
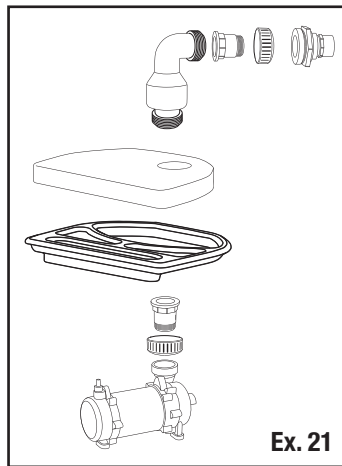
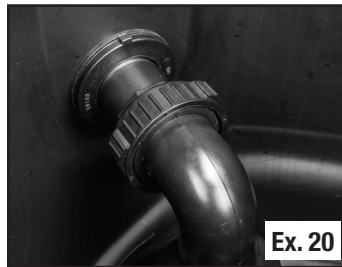
WASH ROCKS AND GRAVEL

- Using a garden hose, wash the rock and gravel down in order to remove any dust and dirt. Use a pump attached to a scrap section of pipe to drain dirty water. The pump can temporarily be placed in the lowest point of the pond and the dirty water discharged to a drainage area in the yard.

STEP 6

COMPLETE THE SKIMMER INSTALLATION

- Insert the filter mat support rack into place at the bottom of the skimmer.
- Place the pump at the bottom of the skimmer (Ex. 18). Follow pump instructions and refer to (Ex. 20).
- Once inside the skimmer, feed the electrical cord over the depression located on the back, top edge of the skimmer (Ex. 19).
- The Aquascape Check Valve 2.0 (#48026) (included with Aquascape pond kits or sold separately) comes with two adaptors used on each end of the check valve. One adaptor threads directly into the pump and the other threads directly into the bulkhead on the back of the skimmer (Ex. 20). Connect the check valve to both the bulkhead and the pump at this time (Ex. 21).
- The overflow, threaded into the second bulkhead, will help maintain the maximum water level in the pond after rainfall, ensuring that your skimmer works properly and water does not travel over the edges of the liner (Ex. 22). Also refer back to page 6 for overflow information.
- Place the included filter mat into the skimmer box with the pre-cut hole oriented in alignment with the desired plumbing route (Ex. 23).



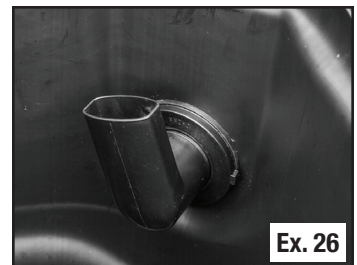
- Attach the debris basket handle to the debris basket by pushing the tabs into the basket (Ex. 24). Then place the basket into the filter with the opening on the basket facing toward the weir opening of the skimmer.



STEP 7

FILL POND AND SET THE ADJUSTABLE EXTERIOR LINER PLATE

- The patented adjustable weir door opening allows the final water level of the pond to be adjusted. Please note that this feature is for making final adjustments and tweaks to the water level. It is important the skimmer was set to the proper water level during initial skimmer installation. If adjustment of the weir does not allow for the desired water level, you may need to reset the placement of the entire skimmer box.
- Make sure the pond is filled to the desired level prior to making final adjustments.
- Adjust the weir opening to the appropriate water level by loosening the thumbscrews and adjusting up or down as needed (Ex. 25). There should be approximately 3/4" gap between the water level and the top of the exterior liner plate opening to allow proper skimming action (Ex. 5).
- Dial-in the adjustable overflow elbow so that water rising past the desired level will begin to trickle down the overflow arm (Ex. 26). Once the overflow is set, the pond owner should not readjust. Readjustment may require re-application of silicone or Teflon tape to the threads in order to provide a watertight fitting.



General Maintenance

- Debris Basket:

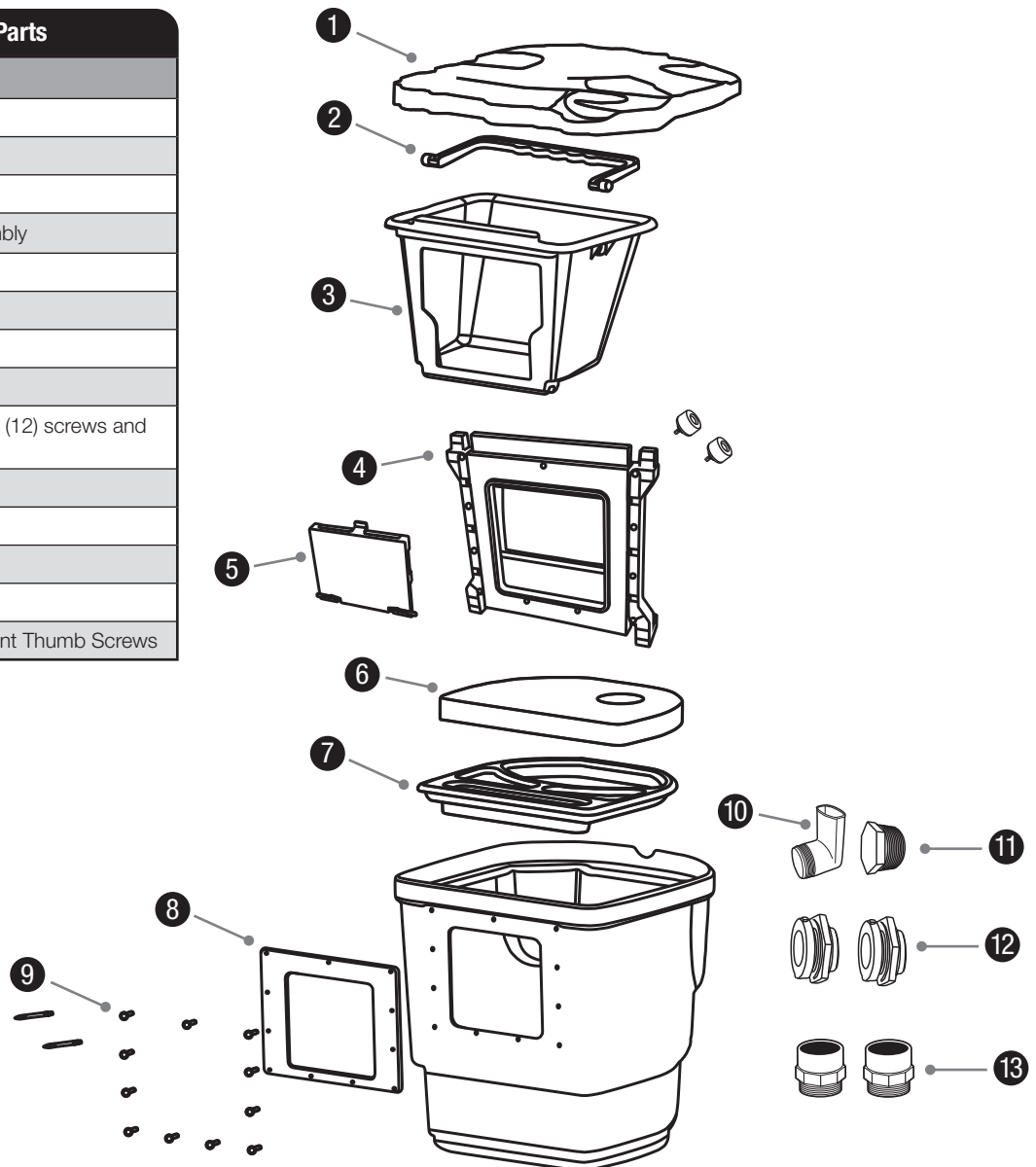
- The Signature Series 1000 Pond Skimmer is designed to sweep the surface of the water and effectively remove debris. The debris basket inside the skimmer is the first filter stage of the skimmer. The basket will collect leaves, twigs, seeds, and other pond debris. It takes approximately two to three minutes every other week to empty the debris basket. More frequent changes will be required during the fall and spring because of the quantity of leaves falling from the surrounding trees.
- It is a good habit to periodically lift the skimmer lid and check the amount of debris in the basket. This is especially true in the fall. Keep a mental note as to how often your basket has to be emptied. It's important that the debris basket is not allowed to become too full. Too much debris can reduce the water flow to the pump.

- Filter Mat:

- The filter mat below the debris basket is the second stage of the skimmer. The mat is designed to handle any debris that finds its way past the basket. The mat will not need maintenance as frequently as the basket since the basket will remove the majority of debris from the water. Remove and rinse the mat when you notice excessive debris build up on the mat or reduced flow over the waterfall.

Replacement Parts

Skimmer Replacement Parts	
No.	Description
1.	43023 – Rock Lid
2.	43016 – Debris Basket Handle
3.	43009 – Debris Basket
4.	43010 – Interior Weir Plate Assembly
5.	43013 – Weir Door
6.	56000 – Filter Mat
7.	29655 – Filter Mat Support Rack
8.	43014 – Exterior Liner Plate
9.	43027 – Hardware Bag - includes (12) screws and (2) liner installation tools
10.	29149 – Overflow Elbow
11.	29394 – 2" Plug
12.	29103 – (2) 2" Bulkhead Fitting
13.	29158 – (2) 2" MPT x 2" Slip
14.	43015 – (2) Water Level Adjustment Thumb Screws



Warranty

LIFETIME WARRANTY

Aquascape warrants that the Signature Series 1000 Pond Skimmer will be free of manufacturing defects for the lifetime of the product if properly installed and maintained. Proof of purchase required. Warranty does not cover damage resulting from negligent handling, misuse or lack of reasonable maintenance or care. If upon Aquascape's inspection, the skimmer shows evidence of a manufacturing defect, Aquascape's liability is limited, at Aquascape's option, to the repair of the defect, replacement of the defective product, or refund of the original purchase price.

The warranty excludes costs of labor, removal of product, shipping and expenses related to the installation and re-installation of the product. All products that include plumbing (tubing, pumps, check valves) need to be properly drained and winterized otherwise warranty is null and void. No liability for loss or damage of any nature or kind, whether arising out of or from the use of the product, whether defective or not defective, is assumed by Aquascape, Inc. or its affiliates. Aquascape shall not be liable for any incidental, consequential or other damages arising under any theory of law whatsoever.

ONE YEAR WARRANTY

Aquascape warrants that the internal parts of the skimmer will be free of manufacturing defects for one year from the date of purchase of the product if properly installed and maintained. Proof of purchase required. Filter pads and media are consumable items and are not covered under any warranty. If upon Aquascape's inspection, the skimmer parts shows evidence of a manufacturing defect, Aquascape's liability is limited, at Aquascape's option, to the repair of the defect, replacement of the defective product, or refund of the original purchase price. The warranty excludes costs of labor, removal of product, shipping and expenses related to the installation and re-installation of the product. No liability for loss or damage of any nature or kind, whether arising out of or from the use of the product, whether defective or not defective, is assumed by Aquascape, Inc. or its affiliates. Aquascape shall not be liable for any incidental, consequential or other damages arising under any theory of law whatsoever.

For more information about our company or products, please visit our website at aquascapeinc.com
or call us at US (866) 877-6637 CAN (866) 766-3426

#55010 • 08/20

©2020 Aquascape, Inc. • All Worldwide Rights Reserved



SIGNATURE SERIES 1000 POND SKIMMER

**Signature Series 1000
Pond Skimmer**
Référence #43022



aquascapeinc.com



Signature Series 1000 Pond Skimmer

Merci d'avoir choisi l'écumeur d'étang Signature Series 1000. Chez Aquascape, nous connectons les gens à l'eau comme le veut la nature. Depuis 1991, nous créons et testons sur le terrain des caractéristiques d'eau afin de vous fournir les produits les plus fiables et le meilleur rapport qualité-prix dans l'industrie de l'eau.

L'écumeur de bassin Aquascape Signature Series 1000 fournit une filtration mécanique efficace pour votre bassin. Nos skimmers sont conçus pour être fonctionnels, faciles à installer et à entretenir. Ils incluent des fonctionnalités brevetées qui réduisent considérablement la maintenance. Ce manuel d'instructions vous guidera à travers l'installation correcte de votre filtre ainsi que les procédures d'entretien recommandées pour garantir une efficacité à long terme.



TABLE DES MATIÈRES

Introduction	12
Contenu	13
Outils recommandés	13
Installation	14
Entretien général	18
Pièces de rechange	19
Informations sur la garantie	20

☎ Communiquez avec nous

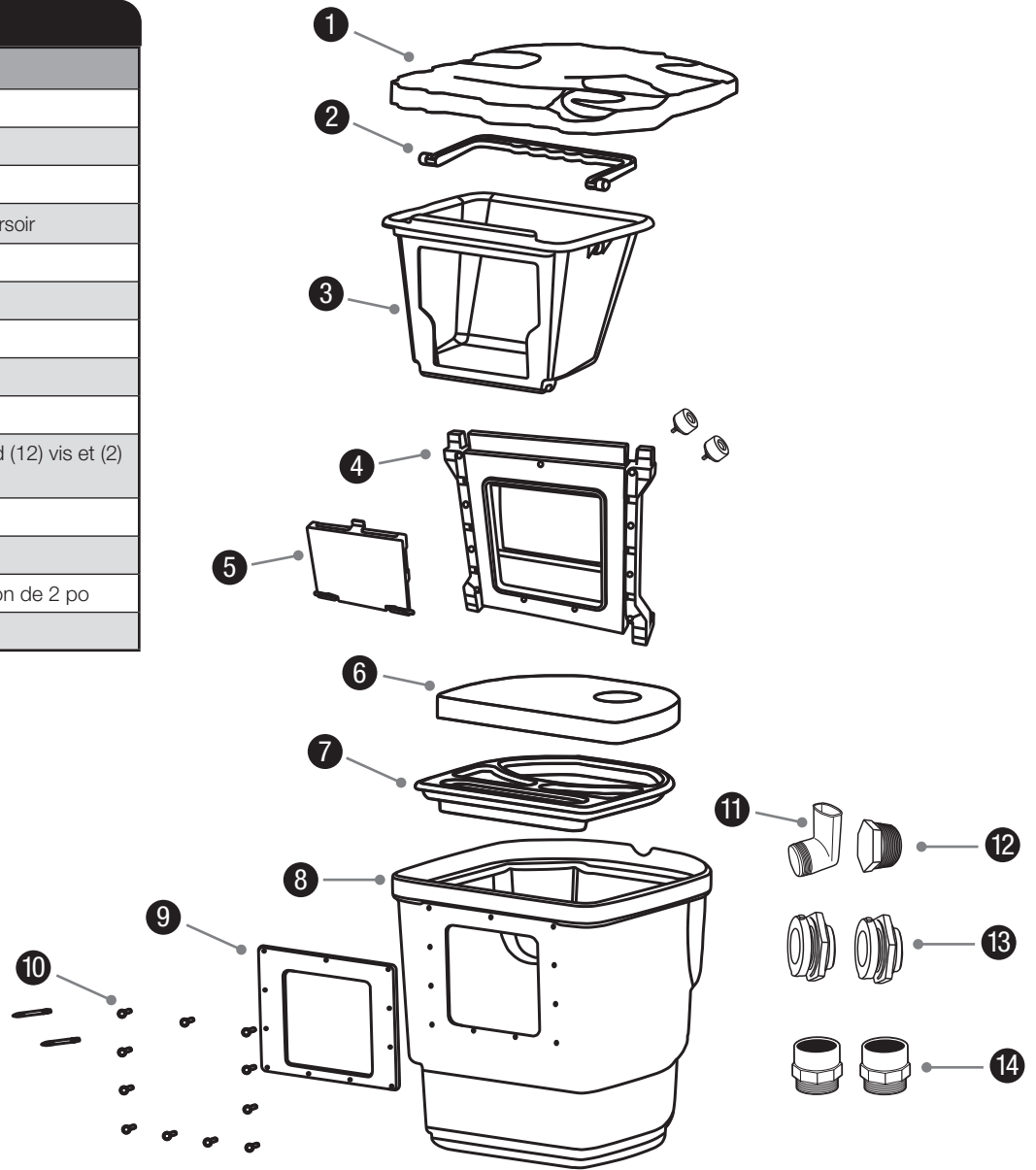
Pour plus de renseignements sur notre entreprise ou nos produits, veuillez vous rendre sur notre site Web aquascapeinc.com ou appeler le (866) 877-6637 (aux É.-U.) ou le (866) 766-3426 (au Canada).

Rejoignez-nous sur :



facebook.com/aquascapeinc
youtube.com/aquascape4
pinterest.com/aquascapeinc
instagram.com/aquascape_inc/

Contenu	
N°	Description
1.	Couvercle en forme de roche
2.	Poignée du panier à déchets
3.	Panier à déchets
4.	Ensemble plaque intérieure du déversoir
5.	Trappe du déversoir
6.	Tampon filtreur
7.	Support de tampon filtreur
8.	Écumeoire
9.	Plaque extérieure de poche
10.	Sachet de quincaillerie : comprend (12) vis et (2) outils de pose de poche
11.	Trop-plein coudé
12.	Bouchon de 2 po
13.	(2) raccords de traversée de cloison de 2 po
14.	(2) 2 po MPT x 2 po Slip



Outils recommandés



Brouette



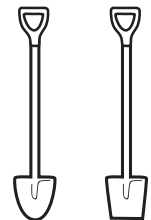
Peinture au pistolet de couleur vive



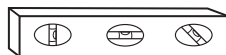
Tournevis



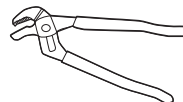
Dameuse



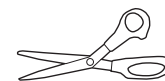
Pelles



Niveau à bulle



Pince multiprise à crémaillère



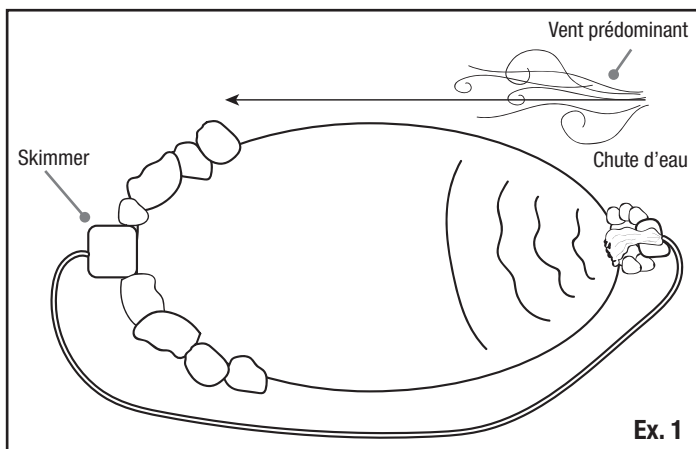
Ciseaux

Installation

ÉTAPE 1

POSITIONNEMENT DE L'ÉCUMOIRE

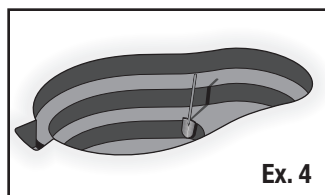
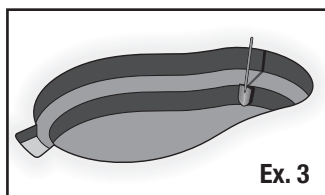
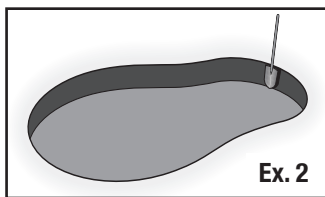
- Pour maximiser la circulation, le filtre Skimmer doit être placé directement devant la chute d'eau. Dans le cas où vous n'auriez pas de chute d'eau, utiliser les vents prédominants du terrain pour déterminer la position du filtre sur son axe le plus long. Ainsi, vous pouvez utiliser le vent pour aider à pousser les débris vers le filtre (Ex. 1).



ÉTAPE 2

EXCAVATING YOUR POND BASIN

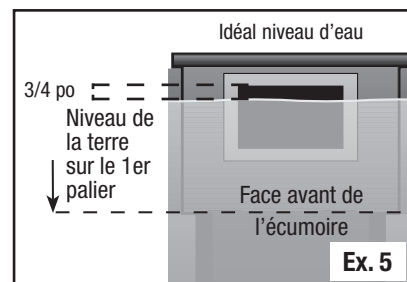
- Si vous installez l'écumoire sur un étang existant, ignorez cette étape et passez à l'étape trois.
- Nous suggérons une excavation maximale de 18 po à 24 po de profondeur. Cette profondeur est nécessaire pour la santé des plantes aquatiques et est appropriée pour les poissons durant la saison hivernale.
- L'excavation doit être creusée en forme de marches. Ces marches servent à maximiser la stabilité des murs de l'étang et à la création de différents niveaux de plate-bandes pour différentes familles de plantes aquatiques.
- La première étagère doit avoir une profondeur d'environ 8 à 10 "ou la hauteur d'une lame de pelle standard (Ex. 2).
- Creusez la deuxième étagère encore 8-10 "plus profond (Ex. 3).
- La troisième étagère (si désiré) sera creusée vers le bas d'un autre 6 "(Ex. 4), atteignant une excavation finale de 24".



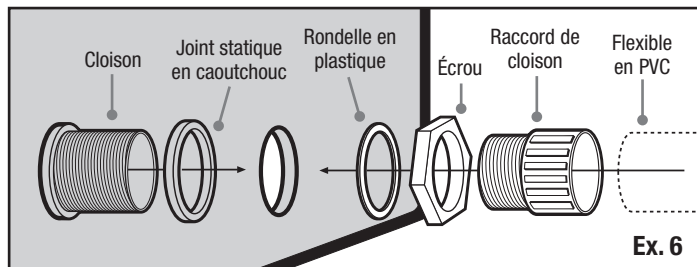
ÉTAPE 3

EXCAVATION POUR L'ÉCUMOIRE

- Lors de l'installation du filtre Skimmer pour un étang existant, vous devez vider l'eau de l'étang. Si vous avez des poissons, préserver un peu d'eau de l'étang dans un sceau de large dimension, un bassin ou une piscine pour enfant. Filetez vos poissons et placez-les dans le récipient. Assurez-vous d'ajouter un aérateur et de garder le poisson dans une zone ombragée.
- Sur les étangs existants, retirez les pierres dans un périmètre de 3 pieds autour du site du filtre. Exposer la région à excaver pour l'emplacement du filtre Skimmer en retirant 3 à 4 pieds de toile à bassin.
- Nous vous recommandons de placer le skimmer à l'envers dans la position que vous avez choisie. Porte à faux sur 6 vers l'intérieur de l'étang pour permettre un peu de mou dans la doublure et de faire de fixation de la façade plus facile.
- À l'aide d'un peut de couleur vive de pulvérisation de peinture, trace autour de l'écumoire de définir la zone à excaver.



- L'excavation de l'écumoire à une profondeur de sorte que le projet de niveau d'eau dans le bassin est d'environ 3/4 en dessous du haut de l'ouverture de l'écumoire (Ex. 5). Pour l'installation dans un étang artificiel existant, veuillez utiliser le niveau d'eau connu pour l'excavation de l'écumoire.
- Assurez-vous que le trou creusé sous l'écumoire est tassé et de niveau.
- Posez les deux cloisons dans la partie arrière de l'écumoire avant de la placer dans le trou spécialement creusé. Assurez-vous que le joint statique en caoutchouc est posé à l'intérieur de l'écumoire (Ex. 6). Le filtre présente deux ouvertures à l'arrière, ce qui permet de choisir entre plusieurs options pour la plomberie.



- Utilisez un niveau à bulle de 2 pieds pour vous assurer que l'écumoire est convenablement posée. L'écumoire doit être de niveau transversalement et longitudinalement (Ex. 7).



Ex. 7

ÉTAPE 4

POSE DE L'ÉCUMOIRE

- Pour un projet faisant appel à une seule pompe, la conduite de la pompe s'attache à une cloison et le trop-plein en option ou sinon (si vous ne souhaitez pas avoir un trop-plein), le bouchon de 2 po peut être posé dans l'autre cloison (Ex. 8). Utilisez l'angle des cloisons à votre avantage en choisissant la cloison qui est la mieux adaptée à la direction dans laquelle vous souhaitez installer la plomberie.



Ex. 8

- Pour le double, les applications de pompage, chaque pompe à accrocher à l'une des cloisons. Un troisième trou doit être percés à l'arrière de l'écumeur si vous souhaitez ajouter un dépassement de capacité.



Ex. 9

Un point de forage guide peut être trouvé à l'arrière de l'écumeur entre les ports existants. L'utilisation d'un 3/8" le trou à percer l'ouverture pendant 2" raccord de traversée de cloison (article n° 29103 vendu séparément) (Ex. 9).

- Pour raccorder la plomberie des pompes et la plomberie du trop-plein, posez un raccord glissant en PVC dans chaque cloison sur l'extérieur de l'écumeur.

REMARQUE : Utilisez du mastic silicone (# 22010) ou (# 29186) ou du ruban Téflon (non inclus) pour enduire les filets des raccords, fournir un joint étanche à l'eau.

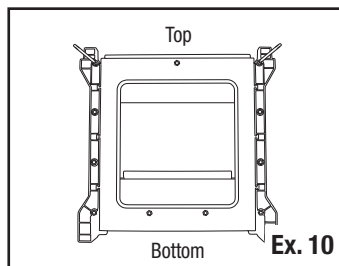
ATTACHE DE LA PLAQUE DE POCHE DE L'ÉCUMOIRE

REMARQUE : Il n'est pas recommandé d'utiliser des outils électriques pour poser les vis, car ils peuvent endommager les filets sur les inserts d'écrou.

- Vissez les deux outils de pose de poche qui sont fournis dans les coins supérieurs gauche et droit de l'ensemble

plaque intérieure du déversoir. Assurez-vous que l'ensemble plaque intérieure du déversoir est orienté de telle sorte que trois inserts d'écrou soient en travers de la partie supérieure et quatre inserts d'écrou en travers de la partie inférieure (Ex. 10).

- Posez ensuite l'ensemble plaque intérieure du déversoir à l'intérieur de l'écumeur en guidant les deux outils de pose de poche à travers les trous supérieurs gauche et droit de l'écumeur (Ex. 11). Les outils de pose de poche maintiendront en place l'ensemble plaque intérieure du déversoir pendant les étapes restantes de pose de la poche.



Ex. 10



Ex. 11

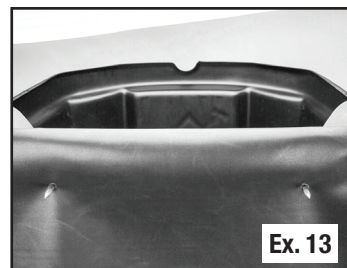
- Une fois que l'assemblage de la plaque de déversoir intérieur est en place, appliquer un cordon épais de mastic silicone sans danger pour les poissons (# 22010) ou (# 29186) autour de l'ouverture de l'écumeur sur les inserts d'écrou, comme illustré (Exemple 12). Cela aidera à créer un joint étanche.



Ex. 12

- Pour éliminer toute trace de poussière ou de débris, essuyez la partie de la poche qui doit être attachée à l'écumeur. Saisir la poche pour la positionner en face de l'écumeur. **Pour le moment, ne poussez pas la poche contre le silicone ou l'ouverture de l'écumeur.** Une fois qu'elle est positionnée devant l'écumeur, assurez-vous que la poche ne présente aucune plissure. Afin de pouvoir éliminer toute tension sur la plaque de poche de l'écumeur quand vous placerez des roches près du filtre, assurez-vous également qu'il y a une longueur de poche suffisamment grande sous l'ouverture de l'écumeur.

- Une fois que la poche est convenablement positionnée, percez la poche au niveau de chacun des deux outils de pose de poche supérieurs, permettant ainsi à la poche d'être suspendue (Ex. 13). Pour le moment, ne poussez pas la poche contre le silicone ou l'ouverture de l'écumeur.



Ex. 13

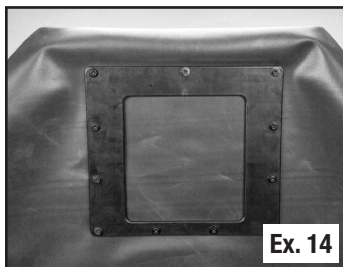
- Ensuite, faites glisser la plaque extérieure de poche sur les deux outils de pose de poche supérieurs et poussez la plaque extérieure de poche et la poche contre le silicone et l'ouverture de l'écumoire. Important : assurez-vous que la plaque extérieure de poche est en place, les trois trous en haut et les quatre trous en bas.



IMPORTANT : assurez-vous que l'extérieur de la doublure de la plaque est installée avec trois trous en haut et quatre en bas.

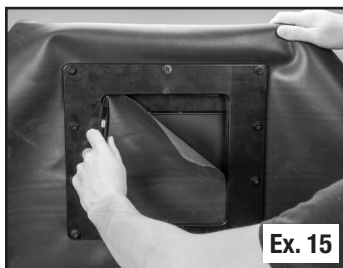
- Attachez la plaque extérieure de poche à l'écumoire à l'aide des vis fournies et en utilisant une alène ou un clou pour percer la poche et faire passer chacune des vis à travers avant de les visser. Commencez par les deux vis du milieu en bas et passez ensuite aux deux vis du milieu en haut, ces quatre vis étant situées entre les outils de pose de poche. Posez ensuite les vis restantes sur les côtés de l'ouverture de l'écumoire.

- Retirez les deux outils de pose de poche des coins supérieurs et posez les deux dernières vis (Ex. 14).



Ex. 14

- À l'aide d'un couteau ou d'une paire de ciseaux, découpez l'ouverture de la poche le long du bord intérieur de la plaque extérieure de poche (Ex. 15). La pose de la plaque de poche de l'écumoire est maintenant terminée.

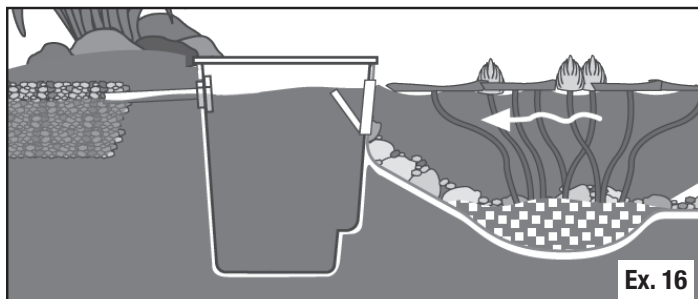


Ex. 15

- Laisser sécher au moins une heure avant d'introduire de l'eau.

INSTRUCTIONS POUR LA POSE DU TROP-PLEIN EN OPTION

- Quand l'eau est prête à déborder, le trop-plein intégré permet à l'eau de s'écouler à travers le tuyau et d'être drainée loin du bassin. Si vous ne voulez pas du trop-plein en option, utilisez le bouchon de 2 po pour boucher la cloison.
- Creusez une tranchée destinée à recevoir une partie du tuyau flexible en PVC qui ressortira du dos de la cloison choisie. La longueur de la tranchée depuis l'arrière de l'écumoire ne doit pas mesurer plus de 5 pieds et doit être en déclivité par rapport au bassin (Ex. 16).



Ex. 16

- Créez une zone de drainage à l'extrémité du tuyau en creusant une petite fosse d'environ 16 po de diamètre et d'au moins 12 po de profondeur. Remplissez la fosse de gravier.
- Enduisez d'une couche d'apprêt une partie du tuyau flexible en PVC, collez-la dans la cloison et faites-la courir jusqu'à la partie supérieure de la fosse de gravier. Couvrez la fosse de gravier à l'aide d'une petite section de couche de sous-finition que vous recouvrirez elle-même de terre.
- Installez le coude de trop-plein dans la cloison correspondante à l'intérieur du skimmer. Utilisez du mastic silicone (# 22010) ou (# 29186) ou du ruban Téflon (non inclus) sur les filetages avant d'installer le raccord. Serrez à la main le raccord dans la cloison aussi loin que possible avec le bras de trop-plein dans la position la plus haute. Le réglage final du trop-plein peut être effectué une fois que le niveau d'eau final est réglé à l'aide de la plaque de revêtement réglable de l'écumoire. Voir la section sur le réglage de la façade réglable et du trop-plein (page 8).

ÉTAPE 5

AJOUTEZ LES ROCHES ET LE GRAVIER

REMARQUE : Il faut vous attendre à utiliser plusieurs tonnes de pierres et de gravier pour achever l'aménagement du jardin aquatique. Pour achever l'aménagement du bassin, vous trouverez ci-dessous des formules utiles pour vous aider à choisir les pierres et le gravier.

Calcul de la quantité de pierres pour le bassin

Longueur (pi) x largeur (pi) ÷ 65 = quantité de grosses roches en tonnes

Gravier utilisé dans le bassin

Quantité de gravier = 30 % du poids total des grosses roches du bassin

- En partant du fond, posez d'abord les roches de plus grande taille contre les parois verticales, puis empilez par dessus les roches plus petites (Ex. 17).



Ex. 17

- Veillez à ne pas endommager la poche en plaçant les grosses roches.
- L'ouverture à l'avant de l'écumoire peut être cachée en plaçant de grosses roches des deux côtés et en posant une pierre ou un morceau de bois de grève par dessus et en travers pour créer une sorte de petite caverne.

REMARQUE : assurez-vous que les grosses roches ne bloquent pas le débit d'eau dans l'écumoire

- Couvrez toutes les surfaces planes restantes à l'intérieur de l'étang avec quelques pouces de gravier décoratif. Cela aidera à verrouiller les rochers en place et à recouvrir le revêtement restant, le protégeant des rayons ultraviolets et donnant aux bactéries un endroit pour coloniser.

LAVEZ LES ROCHES ET LE GRAVIER

- À l'aide d'un tuyau d'arrosage, lavez les roches et le gravier pour retirer la poussière et la saleté. Pour drainer l'eau sale, utilisez une pompe attachée à un vieux bout de tuyau. La pompe peut être temporairement placée à l'endroit le plus bas du bassin et l'eau sale peut être refoulée dans une zone de drainage du jardin.

ÉTAPE 6

ACHEVEZ LA POSE DE L'ÉCUMOIRE

- Insérez le support de tampon filtrant pour le mettre en place au fond de l'écumoire.
- Placez la pompe au fond de l'écumoire (Ex. 18). Suivez les instructions concernant la pompe et reportez-vous à l' (Ex. 20).
- Une fois que la pompe est à l'intérieur de l'écumoire, faites passer le cordon électrique sur le renforcement situé au dos de l'écumoire, sur le rebord supérieur (Ex. 19).

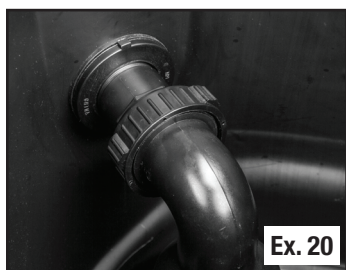


Ex. 18

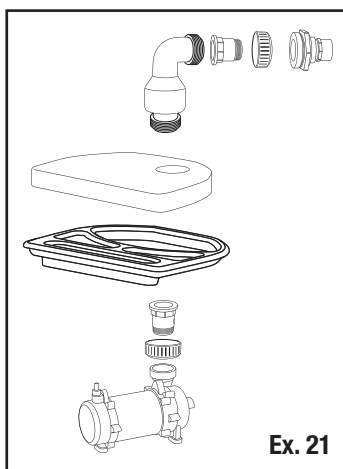


Ex. 19

- The Aquascape Check Valve 2.0 (#48026) (fourni avec les ensembles pour bassins Aquascape ou vendu séparément) est fourni avec deux raccords se posant à chaque extrémité du clapet antiretour. Un raccord se visse directement dans la pompe et l'autre se visse directement dans la cloison au dos de l'écumoire (Ex. 20). Raccordez ensuite le clapet antiretour à la cloison et à la pompe (Ex. 21).



Ex. 20



Ex. 21

- Le trop-plein, vissé dans la seconde cloison, permettra de mieux maintenir le niveau d'eau maximal dans le bassin après une chute de pluie, assurant ainsi le bon fonctionnement de l'écumoire tout en empêchant à l'eau d'atteindre le rebord de la poche (Ex. 22). Veuillez également revenir à la page 6 pour plus de renseignements sur le trop-plein.



Ex. 22



Ex. 23

- Placez le tampon filtrant fourni dans le caisson de l'écumoire, le trou prédécoupé étant orienté dans la même direction que la plomberie (Ex. 23).



Ex. 24

- Attachez la poignée du panier à débris sur celui-ci en forçant les languettes pour les faire rentrer dans le panier (Ex. 24). Placez ensuite le panier dans le filtre, l'ouverture du panier faisant face à l'ouverture du déversoir de l'écumoire.

ÉTAPE 7

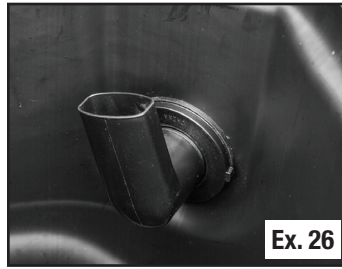
REMPILIR L'ÉTANG ET RÉGLER LA PLAQUE FRONTALE RÉGLABLE

- L'ouverture de porte Wier réglable brevetée permet d'ajuster le niveau d'eau final de l'étang. Veuillez noter que cette fonction sert à effectuer les derniers ajustements et modifications du niveau d'eau. Il est important que l'écumeur ait été réglé au niveau d'eau approprié lors de l'installation initiale de l'écumeur. Si le réglage du déversoir ne permet pas le niveau d'eau souhaité, vous devrez peut-être réinitialiser l'emplacement de la boîte de l'écumoire entière.
- Avant de procéder aux derniers ajustements, assurez-vous que le bassin est rempli au niveau souhaité.
- Réglez l'ouverture du déversoir afin d'obtenir le niveau d'eau approprié en desserrant les vis de serrage et en réglant au besoin vers le haut ou vers le bas (Ex. 25). Pour que l'écumoire fonctionne correctement, il devrait y avoir un espace d'environ 3/4 po entre le niveau d'eau et la partie supérieure de l'ouverture de la tête (Ex. 5).



Ex. 25

- Tournez le trop-plein coudé réglable de telle sorte que l'eau qui monte et dépasse le niveau souhaité commence à s'écouler dans l'orifice du trop-plein (Ex. 26). Une fois que le trop-plein est réglé, le propriétaire du bassin ne devrait plus le régler. Son réajustement peut nécessiter une nouvelle application de silicone ou de ruban de plombier sur les filets, et ce pour assurer la bonne étanchéité du raccord.

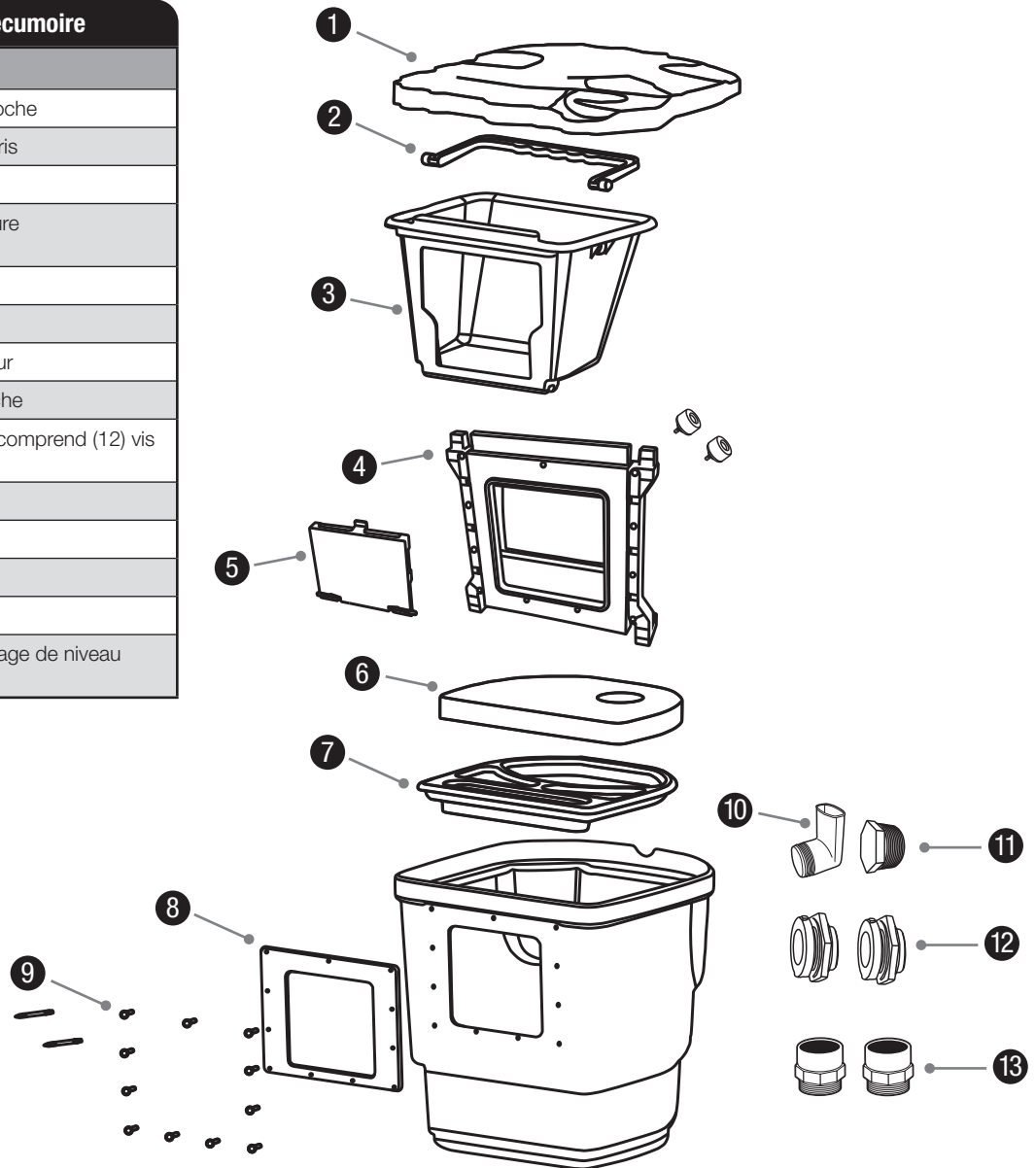


Entretien général

- Panier à débris :
 - L'écumoire de bassin Signature Series 1000 est conçue pour éliminer efficacement les débris qui sont à la surface de l'eau. Le panier à débris dans l'écumoire est le premier étage de filtration de l'écumoire. Le panier ramasse les feuilles, les brindilles, les graines et les autres débris du bassin. Toutes les deux semaines, il faut entre deux et trois minutes pour vider le panier à débris. En raison de la quantité de feuilles ou de fleurs tombant des arbres environnants, il faut le vider plus fréquemment à l'automne et au printemps.
 - Une bonne habitude à prendre consiste à lever périodiquement le couvercle de l'écumoire et à vérifier la quantité de débris dans le panier. Ceci est particulièrement utile à l'automne. Notez mentalement la fréquence à laquelle le panier doit être vidé. Il est important que le panier à débris ne se remplisse pas trop. Une trop grande quantité de débris peut réduire le débit d'eau vers la pompe.
- Tampon filtrant :
 - Le tapis filtrant sous le panier à débris est le deuxième étage de l'écumeur. Le tapis est conçu pour traiter tous les débris qui se frayent un chemin au-delà du panier. Le tapis n'aura pas besoin d'entretien aussi souvent que le panier car le panier éliminera la majorité des débris de l'eau. Retirez et rincez le tapis lorsque vous remarquez une accumulation excessive de débris sur le tapis ou un débit réduit sur la cascade.

Pièces de rechange

Pièces de rechange pour l'écumoire	
N°	Référence/description
1.	43023 – Couvercle en forme de roche
2.	43016 – Poignée du panier à déchets
3.	43009 – Panier à déchets
4.	43010 – Ensemble plaque intérieure du déversoir
5.	43013 – Trappe du déversoir
6.	56000 – Tampon filtreur
7.	29655 – Support de tampon filtreur
8.	43014 – Plaque extérieure de poche
9.	43027 – Sachet de quincaillerie : comprend (12) vis et (2) outils de pose de poche
10.	29149 – Trop-plein coudé
11.	29394 – Bouchon de 2 po
12.	29103 – 2 po Bulkhead Fitting (2)
13.	29158 – 2 po MPT x 2 po Slip (2)
14.	43015 – (2) vis de serrage de réglage de niveau d'eau



Informations sur la garantie

GARANTIE À VIE

Aquascape garantit que l'écumeur d'étang Signature Series 1000 sera exempt de défauts de fabrication pendant toute la durée de vie du produit s'il est correctement installé et entretenu. Preuve d'achat requise. La garantie ne couvre pas les dommages résultant d'une manipulation négligente, d'une mauvaise utilisation ou d'un manque d'entretien ou de soins raisonnables. Si lors de l'inspection d'Aquascape, l'écumeur montre la preuve d'un défaut de fabrication, la responsabilité d'Aquascape est limitée, au choix d'Aquascape, à la réparation du défaut, au remplacement du produit défectueux ou au remboursement du prix d'achat d'origine. La garantie exclut les frais de main-d'œuvre, de retrait du produit, d'expédition et les dépenses liées à l'installation et à la réinstallation du produit. Tous les produits qui incluent la plomberie (tubes, pompes, clapets anti-retour) doivent être correctement drainés et hivernés, sinon la garantie est nulle et non avenue. Aucune responsabilité en cas de perte ou de dommage de quelque nature ou nature que ce soit, résultant de ou de l'utilisation du produit, défectueux ou non, n'est assumée par Aquascape, Inc. ou ses filiales. Aquascape ne sera pas responsable des dommages accessoires, consécutifs ou autres découlant de quelque théorie du droit que ce soit.

GARANTIE UN AN

Aquascape garantit que les pièces internes du skimmer seront exemptes de défauts de fabrication pendant un an à compter de la date d'achat du produit si elles sont correctement installées et entretenues. Preuve d'achat requise. Les tampons et supports filtrants sont des consommables et ne sont couverts par aucune garantie. Si lors de l'inspection d'Aquascape, les pièces de l'écumeur présentent la preuve d'un défaut de fabrication, la responsabilité d'Aquascape est limitée, au choix d'Aquascape, à la réparation du défaut, au remplacement du produit défectueux ou au remboursement du prix d'achat initial. La garantie exclut les frais de main-d'œuvre, de retrait du produit, d'expédition et les dépenses liées à l'installation et à la réinstallation du produit. Aucune responsabilité en cas de perte ou de dommage de quelque nature ou nature que ce soit, résultant de ou de l'utilisation du produit, défectueux ou non, n'est assumée par Aquascape, Inc. ou ses filiales. Aquascape ne sera pas responsable des dommages accessoires, consécutifs ou autres découlant de quelque théorie du droit que ce soit.

Pour plus de renseignements sur notre entreprise ou nos produits, veuillez vous rendre sur notre site Web aquascapeinc.com ou nous appeler au (866) 877-6637 (aux É.-U.) ou au (866) 766-3426 (au Canada).